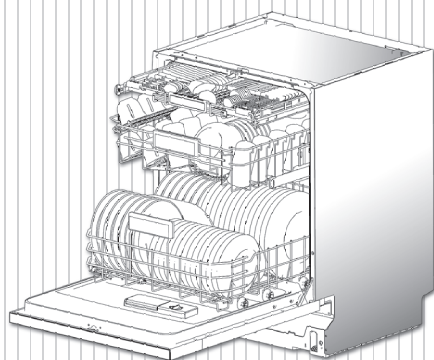


**TECHNICAL PASSPORT**

**ПАСПОРТ ТЕХНИЧЕСКОГО ИЗДЕЛИЯ**



**GS 6020**

**DISHWASHERS**

**ПОСУДОМОЕЧНЫЕ МАШИНЫ**

**KUPPERSBERG**

## Dishwasher

**CONTENTS**

1) SAFETY INFORMATION .....	3
2) DISPOSAL .....	5
3) OPERATION INSTRUCTION .....	6
CONTROL PANEL .....	6
DISHWASHER FEATURES .....	7
4) PRIOR USING FOR THE FIRST TIME .....	7
WATER SOFTENER .....	7
LOADING THE SALT INTO THE SOFTENER .....	8
FILL THE RINSE AID DISPENSER .....	9
FUNCTION OF DETERGENT .....	11
5) LOADING THE DISHWASHER BASKETS .....	13
6) STARTING A WASHING PROGRAMME .....	18
WASH CYCLE TABLE .....	18
TURNING ON THE APPLIANCE .....	18
CHANGE THE PROGRAMME .....	19
FORGET TO ADD DISH .....	19
7) MAINTENANCE AND CLEANING .....	20
8) TROUBLESHOOTING TIPS .....	23
ERROR CODES .....	23
BEFORE CALLING FOR SERVICE .....	24
TECHNICAL INFORMATION .....	26



## READ THIS MANUAL

Dear Customer,

Please read this User Information carefully and keep it to refer to at a later date.

Pass it on to any subsequent owner of the appliance.

This manual contains sections of Safety Instructions, Operating Instructions, Installation Instructions and Troubleshooting Tips, etc.

Carefully read it before using the dishwasher will help you to use and maintain the dishwasher properly.



## BEFORE CALLING FOR SERVICE

To review the section on Troubleshooting Tips will help you to solve some common problems by yourself and not need to ask for the help of professional technicians.



## NOTE:

The manufacturer, following a policy of constant development and updating of the product, may make modifications without giving prior notice.



## 1. SAFETY INFORMATION

### WARNING!

When using your dishwasher, follow the basic precautions including the following:

### WARNING! HYDROGEN GAS IS EXPLOSIVE

Under certain conditions, Hydrogen gas may be produced in a hot-water system that has not been used for two weeks or more. HYDROGEN GAS IS EXPLOSIVE. If the hot-water system has not been used for such a period, before using the dishwasher turn on all hot-water faucets and let the water flow from each for several minutes. This will release any accumulated hydrogen gas. As the gas is flammable, do not smoke or use an open flame during this time.

### WARNING! PROPER USE

➔ Do not abuse, sit on, or stand on the door or dish basket of the dishwasher.

➔ Do not touch the heating element during or immediately after use.

➔ Do not operate your dishwasher unless all enclosure panels are properly in place. Open the door very carefully if the dishwasher is operating. There is a risk of water squirting out.

➔ Do not place any heavy objects or stand on the door when it is open. The appliance could tip forward.

➔ When loading items to be washed:

⇒ Locate sharp items so that they are not likely to damage the door seal;

## Dishwasher

⇒ Load sharp knives with the handles up to reduce the risk of cut-type injuries;

⇒ **Warning:** Knives and other utensils with sharp points must be loaded in the basket with their points down or placed in a horizontal position.

⇒ When using your dishwasher, you should prevent plastic items from contacting with heating element.

⇒ Check that the detergent receptacle is empty after completion of the wash cycle.

⇒ Do not wash plastic items unless they are marked dishwasher safe or the equivalent. For plastic items not so marked, check the manufacturer's recommendations.

⇒ Use only detergent and rinse additives designed for an automatic dishwasher. Never use soap, laundry detergent, or hand washing detergent in your dishwasher.

⇒ Other means for disconnection from the supply must be incorporated in the fixed wiring with at least 3mm contact separation in all poles.

⇒ Keep children away from detergent and rinse aid, keep children away from the open door of the dishwasher, there could still be some detergent left inside.

⇒ Young children should be supervised to ensure that they do not play with the appliance.

⇒ This product is not designed for use by persons (including children) who have reduced physical, sensory or mental capacities or persons with no experience or knowledge, unless they are instructed and supervised in the use of the appliance by a person responsible for their safety.

⇒ Dishwasher detergents are strongly alkaline. They can be extremely dangerous if swallowed. Avoid contact with skin and eyes, and keep children away from the dishwasher when the door is open.

⇒ The door should not be left in the open position since this could present a tripping hazard.

⇒ If the supply cord is damaged, it must be replaced by the manufacturer or its service agent or a similarly qualified person in order to avoid a hazard.

⇒ Please dispose of packing materials properly.

⇒ During installation, the power supply must not be excessively or dangerously bent or flattened. •Do not tamper with controls.

⇒ The appliance is to be connected to the water mains using new hose sets, and the old hose-sets should not be reused.

⇒ Make sure that the carpet must not obstruct the openings at the bottom base.

➔ Use the dishwasher only for its intended function.

➔ The dishwasher is intended for indoor use only.

➔ The dishwasher is not designed for commercial use. It is intended for use in domestic households and in similar working and residen

**READ AND FOLLOW THIS SAFETY INFORMATION CAREFULLY**

**SAVE THESE INSTRUCTIONS**



## 2. DISPOSAL

Dispose of the dishwasher packaging material correctly. All packaging materials can be recycled.

Plastic parts are marked with the standard international abbreviations: (e.g. PS for polystyrene, padding material)



This appliance is identified according to the European guideline 2002/96/EC on waste electrical and

electronic equipment -WEEE. The guideline specifies the framework for an EU-wide valid return and re-use of old appliances.

### **WARNING!**

Packaging material could be dangerous for children!

For disposing of package and the appliance please go to a recycling centre. Cut off the power supply cable and make the door closing device unusable.

Cardboard packaging is manufactured from recycled paper and should be disposed in the waste paper collection for recycling.

By ensuring this product is disposed of correctly, you will help prevent potential negative consequences for the environment and human health, which could otherwise be caused by inappropriate waste handling of this product.

For more detailed information about recycling of this product, please contact your local city office and your household waste disposal service.

### **IMPORTANT!**

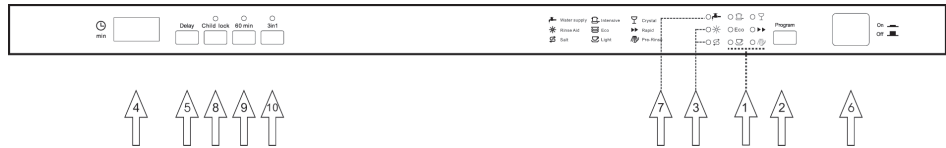
**To get the best performance from your dishwasher, read all operating instructions before using it for the first time.**

## Dishwasher



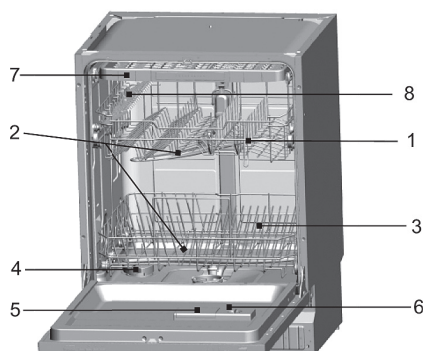
## 3. OPERATION INSTRUCTION

## Control Panel



1. Program indicator light: when you select a washing programme, the corresponding light will display.
2. Program select button: Press the button to select the program. The «Eco wash» indicator will flash if it's connected to the power. Push the button to switch the programme from «Eco»~»Light»~ «Crystal»~»Rapid»~»Pre-rinse»~»Intensive» and select the one you want.
3. Salt and rinse aid indicator light: To come on when the softener or dispenser needs to be refilled
4. Display: To display delay time or error codes or the estimated time left for programme to run.
5. Delay time: This option will allow you to delay the start time of any wash cycle for up to 24 hours (depending on model). Select the delay start time you want by pressing the DELAY pad. Multiple pressing will increase the delay hours.
6. ON/OFF Button: To turn on/off the power supply.
7. Check water supply indicator: The indicator lights up if the tap turn off or water supply interrupted or supply hose kinked.
8. Child lock : The "child lock"will be available when you press the button 3 seconds ,and the indicator lights up after flashing times
9. 60 min programme: Daily wash in only 1 hour.
10. 3 in 1 function : The product is offered with additional functions, The additional function could be used with the programme such as «intensive « « Eco» and « Light.»
11. After select the desired program, close the door ,the dishwasher in function status.

## Dishwasher Features



1. Front View
2. Upper Basket
3. Spray Arms
4. Lower Basket
5. Water Softener
6. Detergent Dispenser
7. Rinse Aid Dispenser
8. Cutlery Tray
9. Cup Holder



### 4. PRIOR USING FOR THE FIRST TIME

#### Before using your dishwasher for the first time:

- A. Set the water softener
- B. Pour 500ml of water inside the salt container and then fill with dishwasher salt
- C. Fill the rinse aid dispenser
- D. Function of detergent

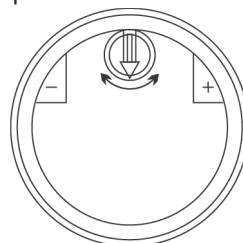
#### A. Water Softener

The water softener must be set manually, using the water hardness dial.

The water softener is designed to remove minerals and salts from the water, which would have a detrimental or adverse effect on the operation of the appliance. The higher the content of these minerals and salts, the harder the water is. The softener should be adjusted according to the hardness of the water in your area. Your local \ Afeiter Authority can advise you on the hardness of the water in your area.

#### \* Adjusting Salt Consumption

The dishwasher is designed to allow for adjusting the amount of salt consumed based on the hardness of the water used. This is intended to optimize and customize the level of salt consumption so that the salt consumption could be set proceed as follows:



1. Unscrew the cap from the salt container
2. There is a ring on the container with an arrow on it (see figure to the side), if necessary, rotate the ring in the anticlockwise direction from the «-» setting towards the «+» sign, based on the hardness of the water being used. It is recommended that adjustments should be made in accordance with the following schema:

\* For optional

Dishwasher

WATERHARDNESS				Selector Position	Salt consumption (gram/cycle)	Autonomy (cycle s/2 kgs)
°dH	°fH	°Clark	Mmol/l			
0-10	0-17	0-12.5	0-1.7	/	0	/
10-25	17-44	12.5-31.3	1.7-4.4	-	20	60
25-50	44-89	31.3-62.5	4.4-8.9	Mid	40	40
>50	>89	>62.5	>8.9	+	60	25

Contact your local water board for information on the hardness of your water supply.

**B. Loading the Salt into the Softener**

Always use salt intended for use with dishwasher.

**!** **NOTE:** If your model has no water softener, you may skip this section

**WATER SOFTENER**

The hardness of the water varies from place to place. If hard water is used in the dishwasher, deposits will form on the dishes and utensils.

The appliance is equipped with a special softener that uses salts specifically designed to eliminate lime and minerals from the water.

The salt container is located beneath the lower basket and should be filled as follows:

**Attention!**

Only use salt specifically designed for use in dishwashers! All other types

of salt not specifically designed for use in a dishwasher, especially table salt, will damage the water softener. In case of damages caused by the use of unsuitable salt the manufacturer does not give any warranty nor is liable for any caused damages.

Only fill with salt just before starting one of the complete washing programmes.

This will prevent any grains of salt or salty water, which may have been split, remaining on the bottom of the machine for any period of time, which may cause corrosion.

After the first wash cycle the control panel light expires.





A. Remove the lower basket and then unscrew and remove the cap from the salt container. **1**

B. If you are filling the container for the first time, fill 2/3 of its volume with water (around 500ml). **2**

C. Place the end of the funnel (supplied) into the hole and introduce about 1,2kg of salt. It is normal for a small amount of water to come out of the salt container.

D. Carefully screw the cap back on.

E. Usually, the salt warning light will be off in 2-6 days after the salt container is filled with salt.

#### NOTE:

1. The salt container must be refilled when the salt warning light in the control panel comes on. Though the salt container is filled enough, the indicator light may not black out before the salt fully dissolve. If there is no salt warning light in the control panel (for some models), you can judge when to load the salt into the softener by the cycles that the dishwasher had run (see the following schema).
2. If there are spills of the salt, a Pre-rinse program could be run to wipe them out.

#### C. Fill the Rinse Aid Dispenser Function of Rinse Aid

Rinse aid is automatically added during the last rinse, ensuring thorough rinsing, spot and streak free drying.

#### Attention!

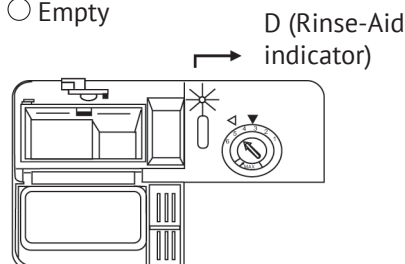
Only use branded rinse aid for dishwasher. Never fill the rinse aid dispenser with any other substances (e.g. dishwasher cleaning agent, liquid detergent). This would damage the appliance.

#### When to Refill the Rinse Aid Dispenser

If there is no rinse-aid warning light on the control panel, you can judge the amount of rinse-aid by the color of the optical level indicator «D» located next to the cap. When the rinse-aid container is full the whole indicator will be dark. As the rinse aid diminishes, the size of the dark dot decreases. You should never let the rinse aid get below 1/4 full.

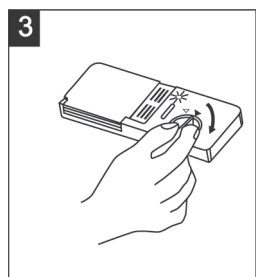
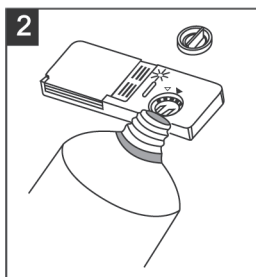
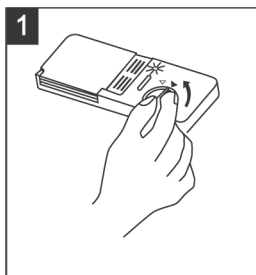
As the rinse aid diminishes, the size of the black dot on the rinse aid level indicator changes, as illustrated below.

- Full
- 3/4 full
- 1/2 full
- 1/4 full - Should refill to eliminate spotting
- Empty



## Dishwasher

## RINSE AID DISPENSER



**1** To open the dispenser, turn the cap to the «open» (left) arrow and lift it out.

**2** Pour the rinse aid into the dispenser, be careful not to overfill.

**3** Replace the cap by inserting it aligned with «open» arrow and turning it to the «closed» (right) arrow.

The rinse aid is released during the final rinse to prevent water from forming droplets on your dishes that can leave spots and streaks. It also improves drying by allowing water to sheet off the dishes. Your dishwashers are designed to use liquid rinse aids. The rinse aid dispenser is located inside the door next to the detergent dispenser.

To fill the dispenser; open the cap and pour the rinse aid into the dispenser until the level indicator turns completely black. The volume of the rinse aid container is about 140ml.

Be careful not to overfill the dispenser, because this could cause oversudsing. Wipe away any spills with a damp cloth. Don't forget to replace the cap before you close dishwasher door.

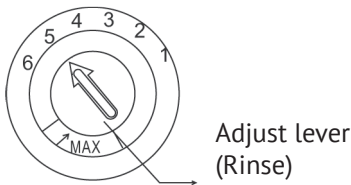
**Attention!**

Clean up any rinse aid split during filling with an absorbent cloth to avoid excess foaming during the next wash.

**Adjusting Rinse Aid Dispenser**

The rinse aid dispenser has four or six settings. Always start with the dispenser set on «4» If spots and poor drying are problems, increase

the amount of rinse aid dispensed by removing the dispenser lid and rotating the dial to «5». If the dishes still are not drying properly or are spotted, adjust the dial to the next higher number until your dishes are spot-free. The dose is factory set in position 5.



#### NOTE:

Increase the dose if there are drops of water or lime spots on the dishes after washing.

Reduce it if there are sticky whitish streaks on the dishes or a bluish film on glassware or knife blades.

### D. Function of Detergent

Detergents with its chemical ingredients are necessary to remove dirt, crush dirt and transport it out of the dishwasher. Most of commercial quality detergents are suitable for this purpose.

#### Concentrated Detergent

Based on their chemical composition, dishwasher can be split in two basic types:

➔ conventional, alkaline detergents with caustic components

➔ low alkaline concentrated detergents with natural enzymes

The use of «Eco» washing programme in conjunction with concentrated detergents reduces pollution and is good for your dishes; these washing programmes are specially matched to the dirt-dissolving properties of the enzymes of the concentrated detergent. For this reason «Eco» washing programme in which concentrated detergents are used can achieve the same results that can otherwise only be achieved using «intensive» programme.

#### Detergent Tablets

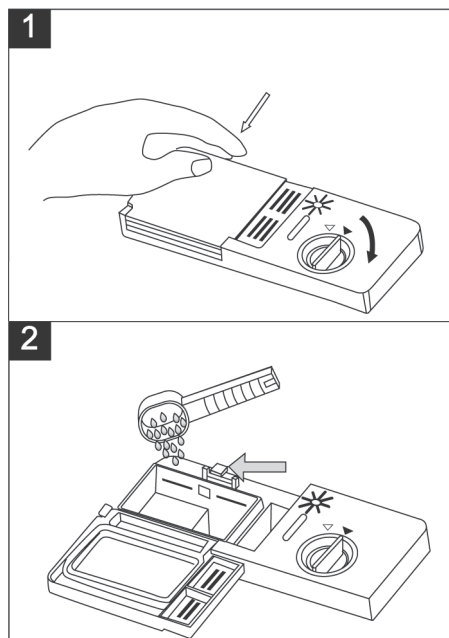
Detergent tablets of different brands dissolve at different speeds. For this reason some detergent cannot dissolve and develop their full cleaning power during short programmes. Therefore please use long programmes when using detergent tablets, to ensure the complete removal of detergent residuals.

#### Detergent Dispenser

The dispenser must be refilled before the start of each washing cycle following the instructions provided in the Wash Cycle Table. Your dishwashers use less detergent and rinse aid than conventional dishwashers. Generally, only one tablespoon of detergent is needed for a normal wash load. Also, more heavily soiled items need more detergent. Always add the detergent just before starting dishwasher, otherwise it could get damp and will not dissolve properly.

## Dishwasher

## Amount of Detergent to Use

**NOTE:**

- 1 If the lid is closed: press release button. The lid springs open.
- 2 Always add the detergent just before starting each wash cycle. Only use branded detergent aid for dishwasher.

**WARNING!**

**Dishwasher detergent is corrosive! Take care to keep it out of reach of children.**

Use only detergent specifically made for use in dishwashers. Keep your detergent fresh and dry.

Don't put powder detergent into the dispenser until you're ready to wash dishes.

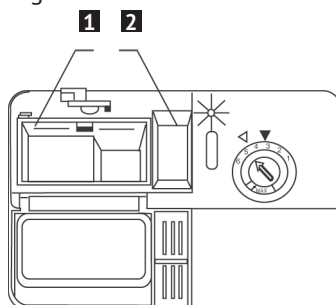
## Fill in the detergent

Fill the detergent dispenser with detergent.

The marking indicates the dosing levels, as illustrated on the right:

1 The place of main wash cycle detergent placed, «MIN» means approximately 20g of detergent.

2 The place of pre-wash cycle detergent placed, approximately 5g of detergent.



Please observe the manufacturer's dosing and storage recommendations as stated on the detergent packaging.

Close the lid and press until it locks in place.

If the dishes are heavily soiled, place an additional detergent dose in the pre-wash detergent Chamber. This detergent will take effect during the pre-wash phase.

Please observe the manufacturer's dosing and storage recommendations as stated on the detergent packaging.

Close the lid and press until it locks in place.

If the dishes are heavily soiled, place an additional detergent dose in the pre-wash detergent Chamber. This

detergent will take effect during the pre-wash phase.

### NOTE:

You find information about the amount of detergent for the single programme on the last page. Please be aware that according to the level soiling and the specific hardness of water, differences are possible. Please observe the manufacturer's recommendations on the detergent packaging.

### Detergents

There are 3 sorts of detergents

1. With phosphate and with chlorine
2. With phosphate and without chlorine
3. Without phosphate and without chloride.

Normally new pulverized detergent is without phosphate. The water softener function of phosphate is not given. In this case we recommend to fill salt in the salt container even when the hardness of water is only 6 dH. If detergents without phosphate were used in case of hard water often white spots appear at dishes and glasses. In this case please add more detergent to reach better results. Detergents without chlorine do only bleach a little. Strong and coloured spots will not removed completely. In this case please choose a programme with higher temperature.



## 5. LOADING THE DISHWASHER BASKETS

For best performance of the dishwasher, follow these loading

guidelines. Features and appearance of baskets and silverware baskets may vary from your model.

### Attention before or after Loading the Dishwasher Baskets

Scrape off any large amounts of leftover food. It is not necessary to rinse the dishes under running water. Place objects in the dishwasher in the following way:

1. Items such as cups, glasses, pots/pans, etc. are stood upside down.
2. Curve items, or those with recesses, should be at a slant so that water can run off.
3. They are stacked securely and can not tip over.
4. They do not prevent the spray arms from rotating while washing takes place.

Very small items should not be washed in the dishwasher as they could easily fall out of the baskets.

### Removing the Dishes

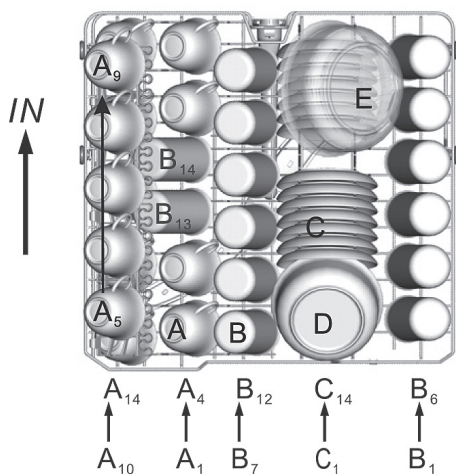
To prevent water dripping from the upper basket into the lower basket, we recommend that you empty the lower basket first and then the upper basket.

### Loading the Upper Basket

The upper basket is designed to hold more delicate and lighter dishware such as glasses, coffee and tea cup and saucers, as well as plates, small bowls and shallow pans (as long as they are not too dirty). Position the dishes and cookware so that they do not get moved by the spray of water.

Dishwasher

Upper Basket

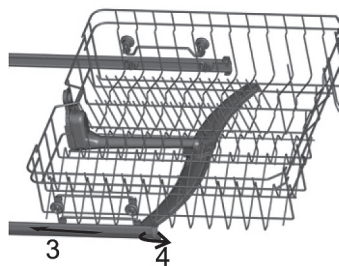
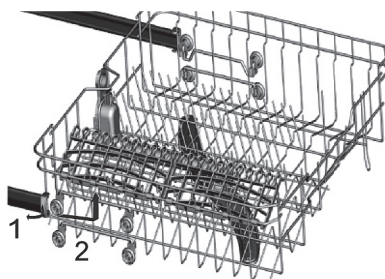


Upper basket	
Type	Item
A	Cup
B	Glass
C	Saucer
D	Serving bowl
E	Serving bowl

Adjusting the Upper Basket

If required, the height of the upper basket can be adjusted in order to create more space for large utensils either in the upper basket or lower basket. The upper basket can be adjusted for height by putting wheels of different height into the rails. Long items, serving cutlery, salad servers or knives should be placed on the shelf so that they do not obstruct

the rotation of the spray arms. The shelf can be folded back or removed when not be required for use.



Loading the Lower Basket

We recommend that you place large items which are most difficult to clean in to the lower basket: pots, pans, lids, serving dishes and bowls, as shown in the figure below.

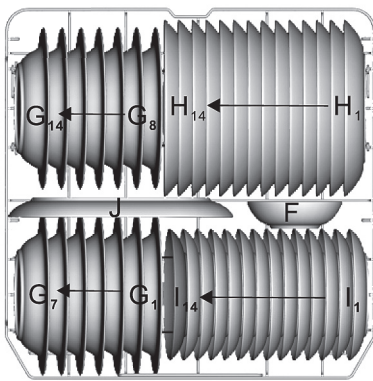
It is preferable to place serving dishes and lids on the side of the baskets in order to avoid blocking the rotation of the top spray arm.

Pots, serving bowls, etc. must always be placed top down.

Deep pots should be slanted to allow water to flow out.

The bottom basket features fold down tine rows so that larger or more pots and pans can be loaded.

**Lower Basket**



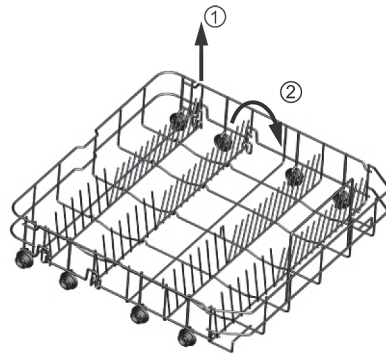
Lower basket	
Type	Item
F	Serving bowl
G	Soup plate
H	Dinner plate
I	Dessert plate
J	Oval plate

**\* Lower basket Folding racks**

Folding racks consisting of two parts that are located on the lower basket of

your machine are designed in order to let you place big items easier as pots, pans, etc. If requested, each part can be folded separately, or all of them can be folded and larger can be obtained. You can use folding racks by raising then upwards, or by folding.

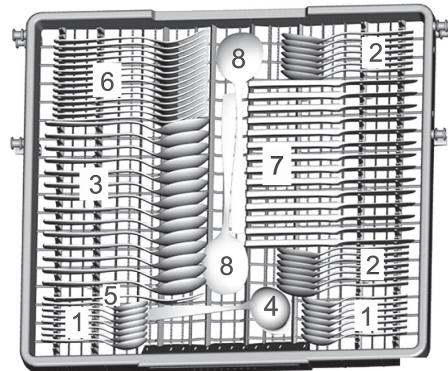
**Lower Basket**



\* For optional

**Cutlery tray**

Arrange the cutlery in the tray as shown. Cutlery should be placed to ensure that water runs off freely.



Door side

Dishwasher



Cutlery basket	
Type	Item
1	Tea spoons
2	Dessert spoons
3	Soup spoons
4	Gravy ladle
5	Serving fork
6	Forks
7	Knives
8	Serving spoons

For washing in the dishwasher the following cutlery/dishes

**Are not suitable**

- Cutlery with wooden, horn china or mother-of-pearl handles
- Plastic items that are not heat resistant
- Older cutlery with glued parts that is not temperature resistant
- Bonded cutlery items or dishes
- Pewter or cooper items
- Lead crystal glass
- Steel items subject to rusting
- Wooden platters
- Items made from synthetic fibre

**WARNING!**

Do not let any item extend through bottom

**Are of limited suitability**

Some types of glasses can become dull after a large number of washes

Silver and aluminium parts have a tendency to discolour during washing

Glazed patterns may fade if machine washed frequently

**NOTE:** Do not put in items that are dirty of cigarette ash, candle wax, lacquer or paint. If you buy new dishes please make sure that they are suitable for dishwashers.

**NOTE:** Please do not overload your dishwasher. There is only space for 12 standard dishes. Do not use dish that is not suitable for dishwashers. This is important for good results and for reasonable energy consumption.

**Loading Cutlery and Dishes**

Before loading the dishes, you should:

- Remove large left-over
- Soften remnants of burnt food in pans

**When Loading the Dishes and Cutlery, Please Note:**

Dishes and cutlery must not impede the rotation of the spray arms.

Load hollow items such as cups, glasses, pans etc. with the opening downwards so that water cannot collect in the container or a deep base.



Dishes and items of cutlery must not lie inside one another, or cover each other

⇒ To avoid damage to glasses, they must not touch

⇒ Load large items which are most difficult to clean into the lower basket

⇒ The upper basket is designed to hold more delicate and lighter dishware such as glasses, coffee and tea cups

### **Attention!**

Long bladed knives stored in an upright position are a potential hazard!

Long and/or sharp items of cutlery such as carving knives must be positioned horizontally in the upper basket

### **Damage to Glassware and other Dishes**

#### **Possible causes:**

⇒ Type of glass or manufacturing process. Chemical composition of detergent.

⇒ Water temperature and duration of dishwasher programme.

#### **Suggested remedy:**

⇒ Use glassware or porcelain dishes that have been marked dishwasher-proof by the manufacturer.

⇒ Use a mild detergent that is described as kind of dishes. If necessary, seek further information from detergent manufacturers.

⇒ Select a programme with a low temperature.

⇒ To prevent damage, take glass and cutlery out of the dishwasher as soon as possible after the programme has ended.

### **At the End of the Wash**

When the working cycle has finished, the buzzer of dishwasher will ring for 6 times, then stop. Turn off the appliance using the ON/OFF button, shut off the water supply and open the door of the dishwasher. Wait a few minutes before unloading the dishwasher to avoid handling the dishes and utensils while they are still hot and more susceptible to breakage. They will also dry better.

Dishwasher



**6. STARTING A WASHING PROGRAMME**

**Wash cycle table**

Program	Cycle Selection Information	Description of Cycle	Detergent Pre/main	Running Time (min)	Energy (kWh)	Water (L)
 Intensive	For the heaviest soiled loads, such as pots, pans, casserole dishes and dishes that have been sitting with dried food on them for a while.	Pre-wash Main wash (60°C) Rinse1 Rinse2 Hot rinse Drying	5/30 (or 3 in 1)	171	1.50	18
 Eco (*EN50242) (Standard Programme)	For normally soiled loads, such as pots, plates, glasses and lightly soiled pans. standard daily cycle.	Pre-wash Main wash (46°C) Rinse Hot rinse Drying	5/30 (or 3 in 1)	151	1.06	14
 Light	Light wash cycle to be used for more delicate items which are sensitive to high temperatures.(Run cycle immediately after use)	Pre-wash Main wash (45°C) Rinse Hot rinse Drying	5/20 ( or 3 in 1)	147	0.95	14
 Crystal	For lightly soiled loads, such as plates, glasses, bowls and lightly soiled pans.	Main wash (40°C) Rinse Hot rinse Drying	5/20	118	0.90	11
 Rapid	A shorter wash for lightly soiled loads that do not need drying.	Main wash (40°C) Hot rinse	15	36	0.55	7
 Pre-Rinse	To rinse dishes that you plan to wash later that day	Pre-wash	/	11	0.01	4
60 min	For lightly and normally soiled plates and pans for everyday	Hot rinse 1 Hot rinse 2 Hot rinse (60°C) Drying	5/20	60	1.00	11.5

\* EN 50242: this program is the test cycle

The information for comparability test in accordance with EN50242,as follows:

- Capacity: 14 settings
- Position of upper basket: Lower position
- Rinse aid setting: 5 ( or 4 for four setting dispenser)

**Turning on the Appliance**

Starting a wash cycle...

Draw out the lower and upper basket, load the dishes and

1. push them back. It is recommended to load the lower basket first, then the upper one (see the section entitled «Loading the Dishwasher»). Pour in the detergent (see the section entitled «Salt, Detergent and Rinse Aid»).

2. Insert the plug into the socket. The power supply is 220-240V AC 50 Hz, the specification of the socket is 12 A 250 VAC.50 Hz.

Make sure that the water supply is turned on to full pressure. Open the door, press the ON/OFF button, Press the «program.» button to select a desired «Wash cycle». (See the section entitled «Wash Cycle Table»). With a little force to ensure the door is properly closed.

**NOTE:** A click could be heard when the door is closed perfectly.

When the washing is over, you can shut off the switch by pressing ON/OFF button.

### Change the Programme.

Premise: A cycle that is underway can only be modified if it has only been running for a short time.

Otherwise, the detergent may have already been released, and the appliance may have already drained the wash water. If this is the case, the detergent dispenser must be refilled (see the section entitled « Fill in the Detergent « ).

Open the door, Press current prog. button more than three seconds to cancel the programme, then you can change the programme to the desired cycle setting (see the section entitled «Starting a wash cycle. . . « ). Then, close the door.

**NOTE:** If you open the door when washing, the machine pauses and warning alarm rings, the display appears E1. When you close the door,

the machine will keep on working after 10 seconds.

The 6 programme lights show the state of the dishwasher:

- a) All program lights off --> stand by
- b) One of the program lights on --> cycle running
- c) One of the program lights blinking --> pause

**NOTE:** If all the lights begin to glimmer, that indicates the machine is out of order, please turn off the main power and water supply before calling a service.

### Forget to Add Dish

A forgotten dish can be added any time before the detergent cup opens.

1. Open the door a little to stop the washing.
2. After the spray arms stop working, you can open the door completely.
3. Add forgotten dishes.
4. Close the door, the dishwasher will work after ten seconds.



### WARNING!

It is dangerous to open the door when washing, because the hot water may scald you.

### Switch Off the Dishwasher

The digital display appears «—» and the buzzer rings 6 times, only in this case the programme has ended.

1. Switch off the dishwasher by pressing the ON/OFF button.
2. Turn off the water tap!

Open the door carefully. Hot steam may escape when the door is opened!

Dishwasher

➤ Hot dishes are sensitive to knocks. The dishes should therefore be allowed to cool down around 15 minutes before removing from the appliance.

➤ Open the dishwasher's door, leave it ajar and wait a few minutes before removing the dishes. In this way they will be cooler and the drying will be improved.

**Unloading the dishwasher**

It is normal that the dishwasher is wet inside.

Empty the lower basket first and then the upper one. This will avoid water dripping from the upper basket onto the dishes in the lower one.



**7. MAINTENANCE AND CLEANING**

**Filtering System**

The filter is used to avoid the big remnants and other sundries getting inside the pump. The residue can obstruct the filter in sometime.

The filter system consists of a coarse filter, a flat (Main filter) and a micro filter (fine filter).

**1. Flat filter**

Food and debris will be trapped by a special jet on the lower spray arm.

**2. Coarse filter**

Big debris, such as bone and glass that could clog the drain will be trapped in the coarse filter.

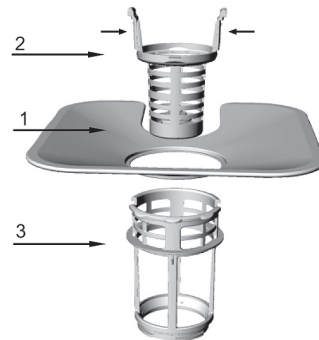
To remove an item caught in this filter, gently squeeze the taps on the top of this filter and lift it out.

**3. Micro filter**

This filter holds soil and food residue in the sump area and prevents it from being redeposited on the dishes during a cycle.

⇒ Inspect the filters for obstruction every time the dishwasher has been used.

⇒ By unscrewing the coarse filter, you can remove the filter system. Remove any food remnants and clean the filters under running water.



Step 1: contrarotate the Coarse filter, and then lift it up; Step 2: lift the Flat filter up





**NOTE:** If operate from step 1 to step 2, the filter system will be removed; while operate from step 2 to step 1, the filter system will be installed.

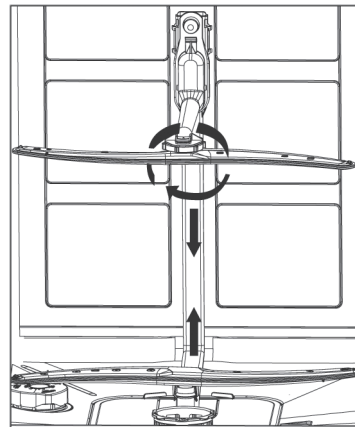
### Filter assembly

For best performance and results, the filter assembly must be cleaned. The filter efficiently removes food particles from the wash water, allowing it to be recirculated during the cycle. For this reason, it is a good idea to remove the larger food particles trapped in the filter after each wash cycle by rinsing the semicircular filter and cup under running water. To remove the filter assembly, pull on the cup handle in the upward direction. The entire filter assembly should be cleaned once a week. To clean the coarse filter and the micro filter, use a cleaning brush. Then, reassemble the filter parts as shown in the figures above and reinsert the entire assembly in the dishwasher, positioning in its seat and pressing downward. The dishwasher must never be used without the filters. Improper replacement of the filter may reduce the

performance level of the appliance and damage dishes and utensils.

### **WARNING!**

Never run the dishwasher without the filters in place. When cleaning the filters, don't knock on them. Otherwise, the filters could be contorted and the performance of dishwasher could be debased.



### Cleaning the Spray Arms

It is necessary to clean the spray arms regularly for hard water chemicals will clog the spray arm jets and bearings.

To remove the spray arms, screw off the nut clockwise to take out the washer on top of the spray arm and remove the arm. Wash the arms in soapy and warm water and use a soft brush to clean the jets. Replace them after rinsing thoroughly.

## Dishwasher

**Caring for the Dishwasher**

To clean the control panel, use a lightly dampened cloth then dry thoroughly.

To clean the exterior; use a good appliance polish wax.

Never use sharp objects, scouring pads or harsh cleaners on any part of the dishwasher.

**Protect Against Freezing**

If your dishwasher is left in an unheated place during the winter, ask a service technical to:

1. Cut off electrical power to the dishwasher.
2. Turn off the water supply and disconnect the water inlet pipe from the water valve.
3. Drain water from the inlet pipe and water valve. (Use a pan to catch the water).
4. Reconnect the water inlet pipe to the water valve.
5. Remove the filter in the tub and the bottom and use a sponge to use up water in sump.

**Cleaning the Door**

To clean the edge around the door, you should use only a soft warm, damp rag. To prevent penetration of water into the door lock and electrical components, do not use a spray cleaner of any kind.

Also, never use abrasive cleaners or scouring pads on the outer surfaces because they will scratch the finish.

Some papers towels can also scratch or leave marks on the surface.

**⚠ WARNING!**

Never use a spray cleaner to clean the door panel for it could damage the door lock and electrical components. It is not allowed to use the abrasive agent or some paper towel because of the risk of scratching or leaving spots on the stainless steel surface.

**How to Keep Your Dishwasher in Shape****➔ After Every Wash**

After every wash, turn off the water supply to the appliance and leave the door slightly ajar so that moisture and odors are not trapped inside.

**➔ Remove the Plug**

Before cleaning or performing maintenance, always remove the plug from the socket. Do not run risks.

**➔ No Solvents or Abrasive Cleaning**

To clean the exterior and rubber parts of the dishwasher, do not use solvents or abrasive cleaning products. Use only a cloth and warm soapy water. To remove spots or stains from the surface of the interior, use a cloth dampened with water and a little white vinegar, or a cleaning product made specifically for dishwashers.

**➔ When You Go on holiday**

When you go on holiday, it is recommended that you run a wash cycle with the dishwasher empty and then remove the plug from the socket, turn off the water supply and leave the door

of the appliance slightly ajar. This will help the seals last longer and prevent odors from forming in the appliance.

➔ Moving the Appliance

If the appliance must be moved, try to keep it in the vertical position. If absolutely necessary, it can be positioned on its back.

➔ Seals

One of the factors that cause odors to form in the dishwasher is food that remains trapped in the seals. Periodic cleaning with a damp sponge will prevent this.

**⚠ Attention:**

The installation of the pipes and electrical equipments should be done by professionals.

**⚠ WARNING**



**Electrical Shock Hazard!**

**Disconnect electrical power before installing dishwasher.**

**Failure to do so can result in death or electrical shock.**

**⚠ 8. TROUBLESHOOTING TIPS**

**Error codes**

When some malfunctions happen, the appliance will display error codes to warn you.

Codes	Meanings	Possible Causes
E1	Door open	The door is opened when the dishwasher is operating
E2	Water inlet	Water inlet malfunction
E3	Water drainage	Water drainage malfunction
E4	Temperature sensor	Temperature sensor malfunction
E5	Overflow/leakage	Overflow occurs/Water leakage occurs
E6	Water leakage	Water leakage occurs
E7	Heating element	Abnormal heating

**WARNING!**

If overflow occurs, turn off the main water supply before calling a service. If there is water in the base pan because of an overflow or small leak, the water should be removed before restarting the dishwasher.

Dishwasher

**Before Calling for Service**

Reviewing the charts on the following pages may make you be free of calling for service.

Problem	Possible Causes	What To Do
Dishwasher doesn't run	Fuse blown, or the circuit breaker acted	Replace fuse or reset circuit breaker. Remove any other appliances sharing the same circuit with the dishwasher
	Power supply is not turned on	Make sure the dishwasher is turned on and the door is closed securely. Make sure the power cord is properly plugged into the wall socket.
	Water pressure is low	Check that the water supply is connected properly and the water is turned on.
Drain pump doesn't stop	Overflow	The system is designed to detect an overflow. When it does, it shuts off the circulation pump and turns on the drain pump.
Noise	Some audible sounds are normal	Sound from detergent cup opening.
	Utensils are not secure in the baskets or something small has dropped into the basket	To ensure everything is secured in the dishwasher
	Motor hums	Dishwasher has not been used regularly. If you do not use it often, remember to set it to fill and pump out every week, which will help keep the seal moist.
Suds in the tub	Improper detergent	Use only the special dishwasher detergent to avoid suds. If this occurs, open the dishwasher and let suds evaporate. Add 1 gallon of cold water to the tub. Close and latch the dishwasher, then start the "pre-rinse" wash cycle to drain out the water... Repeat if necessary.
	Spilled rinse agent	Always wipe up rinse agent spills immediately.
Stained tub interior	Detergent with colorant was used	Make sure that the detergent is the one without colorant.
Dishes and flatware not clean	Improper program Improper basket loading	Select a stronger programme. Make sure that the action of the detergent dispenser and spray arms are not blocked by large dishware.
Spots and filming on glasses and flatware	<ol style="list-style-type: none"> <li>Extremely hard water</li> <li>Low inlet temperature</li> <li>Overloading the dishwasher</li> <li>Improper loading</li> <li>Old or damp powder detergent</li> <li>Empty rinse agent dispenser</li> <li>Incorrect dosage of detergent</li> </ol>	<p>To remove spots from glassware:</p> <ol style="list-style-type: none"> <li>Take out all metal utensils out of the dishwasher.</li> <li>Do not add detergent.</li> <li>Choose the longest cycle.</li> <li>Start the dishwasher and allow it to run for about 18 to 22 minutes, then it will be in the main wash.</li> <li>Open the door to pour 2 cups of white vinegar into the bottom of the dishwasher.</li> <li>Close the door and let the dishwasher complete the cycle. If the vinegar does not work: Repeat as above, except use 1/4 cup (60 ml) of citric acid crystals instead of vinegar.</li> </ol>



Cloudiness on glassware	Combination of soft water and too much detergent	Use less detergent if you have soft water and select a shortest cycle to wash the glassware and to get them clean.
Yellow or brown film on inside surfaces	Tea or coffee stains	Using a solution of 1/2 cup of bleach and 3 cups of warm water to remove the stains by hand. <b>WARNING</b> You have to wait for 20 minutes after a cycle to let the heating elements cool down before cleaning interior; otherwise, burns will happen.
	Iron deposits in water can cause an overall film	You have to call a water softener company for a special filter.
White film on inside surface	Hard water minerals	To clean the interior; use a damp sponge with dishwasher detergent and wear rubber gloves. Never use any other cleaner than dishwasher detergent for the risk of foaming or suds.
The Detergent dispenser lid cannot be closed properly	Clogged detergent re -sidue is blocking the catch	Clean the detergent from the catch.
Detergent left in dispenser cups	Dishes block detergent Cups	Re-loading the dishes properly.
Steam	Normal phenomenon	There is some steam coming through the vent by the door latch during drying and water draining.
Black or gray marks on dishes	Aluminum utensils have rubbed against dishes	Use a mild abrasive cleaner to eliminate those marks.
Water standing on the bottom of the tub	This is normal	A small amount of clean water around the outlet on the tub bottom keeps the water seal lubricated.
Dishwasher leaks	Overfill dispenser or rinse aid spills	Be careful not to overfill the rinse aid dispenser. Spilled rinse aid could cause oversudsing and lead to overflowing. Wipe away any spills with a damp cloth.
	Dishwasher isn't level	Make sure the dishwasher is level.

## Dishwasher

## Technical Data Sheet

Sheet of household dishwasher according to EU Directive 1059/2010:

<b>Manufacture</b>	<b>KUPPERSBERG</b>
<b>Model</b>	<b>GS 6020</b>
Standard place settings	14
Energy efficiency class <sup>1</sup>	A +
Annual energy consumption <sup>2</sup>	299 kWh
Energy consumption of the standard cleaning cycle	1.06 kWh
Power consumption of off-mode	0.1 W
Power consumption of left-on mode	0.9 W
Annual water consumption <sup>3</sup>	3920 liter
Drying efficiency class <sup>4</sup>	A
Standard cleaning cycle <sup>5</sup>	Eco
Program duration of the standard cleaning cycle	151 min
Noise level	47 dB(A) re 1 pW
Mounting	Built-in
Could be built- in	Yes
Height	81.5 cm
Width	59.6 cm
Depth (with connectors)	55.8cm
Power consumption	1850 W
Rated voltage / frequency	AC 220-240 V/ 50 Hz
Water pressure (flow pressure)	0.4-10bar=0.04-1.0MPa
Water temperature	Max.62°C

## NOTE:

1. A+++ (highest efficiency) to D(lowest efficiency).
2. Energy consumption «299» kWh per year, based on 280 standard cleaning cycles using cold water fill and the consumption of the low power modes. Actual energy consumption will depend on how the appliance is used.
3. Water consumption «3920» litres per year, based on 280 standard cleaning cycles. Actual water consumption will depend on how the appliance is used.
4. A (highest efficiency) to G(lowest efficiency).
5. This program is suitable for soiled normally soiled tableware and that it is the most efficient program in terms of its combined energy and water consumption for that type of tableware.

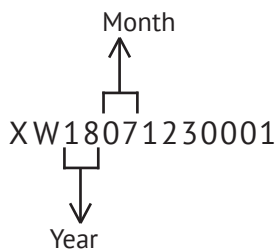
The device meets the European standards and the directives in the current version at delivery.

- LVD 2006/95/EC
- EMC 2004/108/EC
- EUP 2010/1016

**NOTE:** The above values have been measured in accordance with standards under specified operating conditions. Results may vary greatly according to quantity and pollution of the dishes , water hardness ,amount of detergent, etc.

The manual is based on the European Union's standards and rules.

## DETERMINATION OF THE PRODUCTION DATE BY SERIAL NUMBER



### Manufacturers:

Zhongshan Galanz Consumer Electric Appliances Co.,Ltd., China

### Importer:

LLC «MG Rusland», 141400  
Moscow region, Khimki, Butakovo, 4



## СОДЕРЖАНИЕ

1) ИНФОРМАЦИЯ ПО ТЕХНИКЕ БЕЗОПАСНОСТИ .....	29
2) УТИЛИЗАЦИЯ .....	32
3) УКАЗАНИЯ ПО ЭКСПЛУАТАЦИИ .....	33
ПАНЕЛЬ УПРАВЛЕНИЯ .....	33
КОНСТРУКТИВНЫЕ ОСОБЕННОСТИ ПОСУДОМОЕЧНОЙ МАШИНЫ .....	34
4) ПЕРЕД ПЕРВЫМ ИСПОЛЬЗОВАНИЕМ .....	34
УСТРОЙСТВО УМЯГЧЕНИЯ ВОДЫ .....	34
ЗАГРУЗКА СОЛИ В УСТРОЙСТВО УМЯГЧЕНИЯ ВОДЫ .....	35
ЗАПОЛНЕНИЕ ДОЗАТОРА ОПОЛАСКИВАТЕЛЯ .....	36
ТИПЫ И НАЗНАЧЕНИЕ МОЮЩИХ СРЕДСТВ .....	39
5) ЗАГРУЗКА ПОСУДЫ В КОРЗИНЫ ПОСУДОМОЕЧНОЙ МАШИНЫ .....	41
6) ЗАПУСК ПРОГРАММЫ МЫТЬЯ ПОСУДЫ .....	47
ТАБЛИЦА С ОПИСАНИЕМ ПРОГРАММ ДЛЯ МЫТЬЯ ПОСУДЫ .....	47
ВКЛЮЧЕНИЕ ПРИБОРА .....	48
ИЗМЕНЕНИЕ ПРОГРАММЫ .....	48
ДОБАВЛЕНИЕ ДОПОЛНИТЕЛЬНОЙ ПОСУДЫ .....	49
7) ТЕХНИЧЕСКОЕ ОБСЛУЖИВАНИЕ И ЧИСТКА .....	49
8) РЕКОМЕНДАЦИИ ПО ПОИСКУ УСТРАНЕНИЮ НЕИСПРАВНОСТЕЙ .....	53
КОДЫ НЕИСПРАВНОСТЕЙ/СБОЕВ .....	53
ПЕРЕД ОБРАЩЕНИЕМ В СЕРВИСНЫЙ ЦЕНТР .....	54
ТЕХНИЧЕСКИЕ ДАННЫЕ .....	57



## **ВНИМАТЕЛЬНО ИЗУЧИТЕ ДАННОЕ РУКОВОДСТВО**

Уважаемый покупатель!

Пожалуйста, внимательно прочитайте приведенную в данном руководстве информацию, сохраните его и обращайтесь к нему по мере возникновения у вас вопросов.

В случае продажи оборудования данное руководство также должно быть передано новому владельцу оборудования.

В данном руководстве содержатся следующие разделы: указания по технике безопасности, эксплуатации, установке, поиску и устранению неисправностей и другие.

Приведенную здесь информацию следует внимательно изучить до начала использования посудомоечной машины, что позволит обеспечить правильное ее использование и поддержание в технически исправном состоянии.



## **ПЕРЕД ОБРАЩЕНИЕМ В СЕРВИСНЫЙ ЦЕНТР**

Ознакомьтесь с разделом «Рекомендации по поиску и устранению неисправностей». Приведенная в нем информация позволит вам самостоятельно устранить некоторые наиболее распространенные неполадки без обращения к помощи квалифицированным техническим специалистам.



## **ПРИМЕЧАНИЕ.**

В связи с непрерывно проводимыми работами по разработке и усовершенствованию своей продукции компания-изготовитель оставляет за собой право вносить в нее любые изменения без предварительного уведомления об этом.



## **1. ИНФОРМАЦИЯ ПО ТЕХНИКЕ БЕЗОПАСНОСТИ**

### **ПРЕДУПРЕЖДЕНИЕ!**

При использовании посудомоечной машины соблюдайте указанные ниже основные меры предосторожности:

**ПРЕДУПРЕЖДЕНИЕ! ВОДОРОД ЯВЛЯЕТСЯ ВЗРЫВООПАСНЫМ ГАЗОМ!**

При определенных условиях в системах горячего водоснабжения, которые не использовались более двух недель, может накапливаться газообразный водород. **ВОДОРОД ЯВЛЯЕТСЯ ВЗРЫВООПАСНЫМ ГАЗОМ!** Если система горячего водоснабжения не использовалась в течение указанного выше времени, то прежде чем включать посудомоечную машину следует открыть все краны подачи горячей воды на несколько минут. Данная мера позволит удалить из системы весь скопившийся в ней газообразный водород. Этот газ является огнеопасным, поэтому при выполнении указанной выше процедуры не допускается курить и пользоваться источниками открытого пламени.

## Посудомоечные машины

**ПРЕДУПРЕЖДЕНИЕ! ПРАВИЛА БЕЗОПАСНОЙ ЭКСПЛУАТАЦИИ**

⇒ Бережно обращайтесь с дверцей посудомоечной машины и корзиной для посуды, не садитесь и не становитесь на них.

⇒ Не дотрагивайтесь до нагревательных элементов во время или сразу же после использования посудомоечной машины.

⇒ Не включайте посудомоечную машину до тех пор, пока все защитные панели корпуса не будут установлены на место. Во время работы посудомоечной машины открывать дверцу следует с особой осторожностью, поскольку при этом существует опасность выплескивания горячей воды.

⇒ Не помещайте тяжелые предметы и не становитесь на открытую дверцу. Это может привести к опрокидыванию прибора.

⇒ Во время загрузки посуды:

⇒ Размещайте острые предметы таким образом, чтобы они не могли случайно повредить уплотнение дверцы.

⇒ Чтобы предотвратить порезы, острые ножи всегда помещайте ручкой вверх.

⇒ Предупреждение! Ножи и другие столовые приборы, имеющие острые края, следует помещать в корзину таким образом, чтобы эти острые части были направлены вниз, или укладывать в горизонтальном положении.

⇒ Во время использования посудомоечной машины не следует до-

пускать прикосновения пластиковых предметов к нагревательным элементам.

⇒ После окончания цикла мытья посуды убедитесь в том, что приемный лоток для моющего средств полностью пустой.

⇒ Не допускается мыть в машине изделия из пластмассы, если на них отсутствует маркировка о пригодности для мытья в посудомоечной машине или аналогичная. При уходе за посудой из пластмассы, не имеющей подобной маркировки, следуйте рекомендациям компании-изготовителя.

⇒ Используйте только такие моющие средства и ополаскиватели, которые предназначены для применения в машинах для автоматического мытья посуды. Запрещается использовать в посудомоечной машине мыло, стиральные порошки, а также средства для ручного мытья посуды.

⇒ Внешняя аппаратура, предназначенная для отключения прибора от сети питания, должна быть встроена в стационарную электроустановку, при этом расстояние между контактами должно составлять не менее 3 мм для всех полюсов.

⇒ Храните моющие средства и ополаскиватели в недоступном для детей месте, не подпускайте детей к посудомоечной машине, если открыта ее дверца, поскольку внутри может еще оставаться моющее средство.

⇒ Необходимо следить за маленькими детьми, не допуская, чтобы они играли с прибором.

## Посудомоечные машины

⇒ Не допускается использование данного изделия детьми, а также лицами с ограниченными физическими, сенсорными или умственными способностями или отсутствием соответствующего опыта или знаний, за исключением тех случаев, когда они проинструктированы по порядку использования прибора лицом, отвечающим за их безопасность и находятся под его присмотром.

⇒ Все средства используемые для мытья посуды, обладают сильными щелочными свойствами и поэтому представляют особую опасность в случае их проглатывания.

Не допускайте попадания этих средств в глаза или на кожу и не разрешайте детям подходить к посудомоечной машине, у которой открыта дверца.

⇒ Не оставляйте дверцу надолго в открытом положении, поскольку это может приводить к опасности опрокидывания прибора.

⇒ В случае повреждения кабель питания должен быть заменен специалистом компании-изготовителя, ее официального сервисного центра или другим техническим лицом, обладающим соответствующей квалификацией. Это позволит избежать возникновения опасных ситуаций.

⇒ Упаковочные материалы должны быть утилизированы в соответствии с действующими нормами и правилами.

⇒ В процессе установки прибора не допускается чрезмерно перегибать или сдавливать кабель питания.

⇒ Не допускается также разбирать элементы управления.

⇒ Для подключения прибора к водопроводной сети следует использовать только новые комплекты шлангов. Повторное применение шлангов не допускается.

⇒ Следите за тем, чтобы ковровые покрытия не перекрывали отверстия в нижней части основания.

⇒ Используйте посудомоечную машину только по назначению.

⇒ Посудомоечная машина предназначена для эксплуатации только внутри помещения.

⇒ Посудомоечная машина не предназначена для применения в коммерческих целях. Данный прибор предназначен для бытового и аналогичного применения, например, для обслуживания нужд рабочих предприятия, сотрудников офиса, лиц, проживающих в учреждениях временно размещения граждан, и т.д.

**ВНИМАТЕЛЬНО ПРОЧИТАЙТЕ  
ВСЕ ИНСТРУКЦИИ И СТРОГО  
СЛЕДУЙТЕ УКАЗАНИЯМ ПО  
ТЕХНИКЕ БЕЗОПАСНОСТИ.**

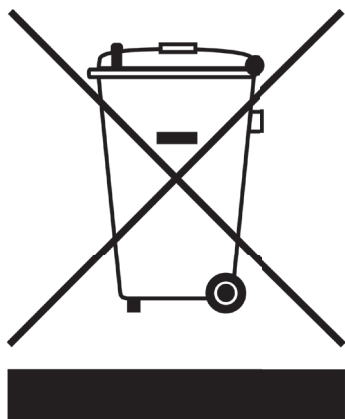
**СОХРАНИТЕ ДАННОЕ  
РУКОВОДСТВО И  
ИСПОЛЬЗУЙТЕ ЕГО В  
КАЧЕСТВЕ СПРАВОЧНОГО  
ПОСОБИЯ.**

## ! 2. УТИЛИЗАЦИЯ

Утилизируйте упаковочные материалы посудомоечной машины в соответствии с действующими нормами и правилами.

Все применяемые упаковочные материалы допускают переработку.

На пластиковые детали нанесены стандартные международные обозначения: (например, PS для полистирола, используемого в качестве упаковочного наполнителя).



На данный прибор нанесена маркировка в соответствии с европейской директивой 2002/96/ЕС по утилизации отходов электрического и электронного оборудования. В данной директиве устанавливаются основные требования, действующие в отношении возврата и повторного использования отработавшей срок службы техники на территории стран-членов ЕС.

## ! ПРЕДУПРЕЖДЕНИЕ!

Упаковочный материал может представлять опасность для детей!

По вопросам утилизации упаковки и прибора следует обращаться в специализированный центр по переработке отходов. Кроме того, у отслужившего срок службы прибора необходимо обязательно обрезать кабель питания и вывести из строя (разрушить) механизм запираания дверцы.

Картонная упаковка производится из переработанной бумаги и должна передаваться в места сбора отходов бумаги для дальнейшей переработки.

Помогая утилизировать прибор в соответствии с нормами и правилами, вы способствуете предотвращению загрязнения окружающей среды отходами и последующего отрицательного воздействия на здоровье человека.

За дополнительной информацией по переработке данного изделия обращайтесь в местные муниципальные органы власти или в местную службу утилизации бытовых отходов.

## ВНИМАНИЕ!

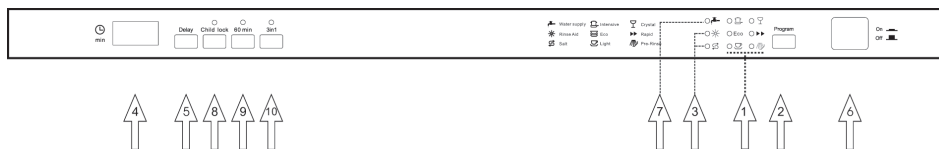
Внимательно прочитайте все инструкции по эксплуатации до начала работы с посудомоечной машиной, это позволит вам обеспечить максимальную эффективность при использовании данного прибора.





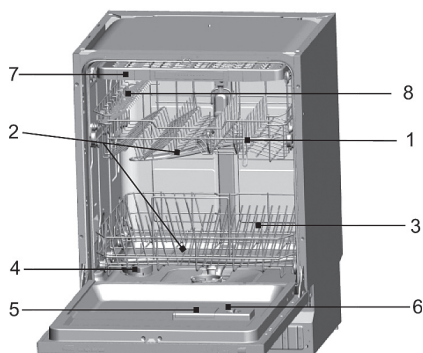
### 3. УКАЗАНИЯ ПО ЭКСПЛУАТАЦИИ

#### Панель управления



- Индикатор программы: при выборе программы мытья подсвечивается соответствующий сегмент индикатора.
- Кнопка выбора программы (Program): для выбора программы необходимо нажать кнопку. Индикатор «Эко-программа мытья» (Eco) мигает при подключении к сети электропитания. Используйте эту кнопку для выбора необходимой программы мытья: «Эко», «Деликатное мытье», «Хрусталь», «Быстрое мытье», «Предварительное ополаскивание» или «Интенсивное мытье».
- Индикаторы контроля уровня соли и ополаскивателя: индикатор загорается, если необходимо заправить устройство умягчения воды или дозатор
- Дисплей: используется для отображения времени отсрочки пуска, кодов неисправностей/сбоев, а также времени, оставшегося до окончания выполнения программы.
- Кнопка отсрочки пуска (Delay): эта функция (Delay) позволяет отложить время запуска любого цикла мытья на время до 24 часов (зависит от модели). Нажимая кнопку DELAY, вы можете выбрать время отсрочки пуска. Многократное нажатие приводит к увеличению времени задержки в часах.
- Кнопка включения/отключения (ВКЛ/ОТКЛ): обеспечивает включение и отключение подачи питания.
- Индикатор контроля подачи воды: индикатор загорается, если закрывается кран подачи воды, прерывается подача воды из водопровода или пережимается шланг подачи воды.
- Кнопка включения функции защиты от доступа детей (Child lock): для активации функции защиты от доступа детей необходимо нажать эту кнопку и удерживать в течение 3 секунд, при этом светодиодный индикатор мигнет 6 раз, а затем продолжит гореть постоянно.
- Программа мытья за минут (60 min): программа ежедневного ухода за посудой длительностью всего 1 час.
- Функция «3 в 1»: прибор позволяет использовать ряд дополнительных функций. Дополнительная функция может применять с такими программами, как «Интенсивное мытье», «Эко» и «Деликатное мытье».
- После выбора необходимой программы закройте дверцу, посудомоечная машина перейдет в рабочее состояние.

### Конструктивные особенности посудомоечной машины



#### Вид спереди

- 1 Верхняя корзина
- 2 Распылительные коромысла
- 3 Нижняя корзина
- 4 Устройство умягчения воды
- 5 Дозатор моющего средства
- 6 Дозатор ополаскивателя
- 7 Лоток для столовых приборов
- 8 Держатель для стаканов



### 4. ПЕРЕД ПЕРВЫМ ИСПОЛЬЗОВАНИЕМ

**Перед первым использованием посудомоечной машины необходимо:**

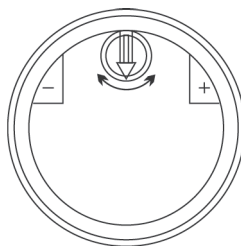
- A. Настроить устройство умягчения воды
- B. Залить 500 мл воды в контейнер для соли и затем засыпать в посудомоечную машину соль.
- C. Заполнить дозатор ополаскивателя
- D. Выбрать моющее средство

### A. Устройство умягчения воды

Устройство умягчения воды предназначено для удаления из воды минералов и солей, наличие которых может приводить к ухудшению эффективности работы прибора и его повреждению. Чем выше содержание этих минералов и солей, тем более жесткой является вода. Устройство умягчения необходимо отрегулировать в зависимости от жесткости воды в месте эксплуатации. Получить информацию о жесткости воды в вашем регионе вы можете, обратившись в местную водоснабжающую организацию.

#### \* Регулировка расхода соли

Посудомоечная машина обеспечивает регулирование количества потребляемой соли в зависимости от жесткости используемой воды. Расход соли может быть настроен с целью оптимизации процесса мытья указанным ниже образом:



1. Откройте крышку контейнера для соли.
2. На контейнере имеется кольцо со стрелкой (см. рисунок слева). Если необходимо, поверните это коль-

цо в направлении против часовой стрелки от отметки «-» к отметке «+» в соответствии с жесткостью используемой воды.

Рекомендуется выполнить регулировку согласно данным приведенной ниже таблицы:

\* Дополнительное оснащение

WATERHARDNESS				Положение ручки регулятора	Расход соли (грамм/цикл)	Количество рабочих циклов (циклы / 2 кг)
Нем. градусы (°dH)	Фр. градусы (°fH)	Англ. градусы (Clark)	ммоль/л			
0-10	0-17	0-12.5	0-1.7	/	0	/
10-25	17-44	12.5-31.3	1.7-4.4	-	20	60
25-50	44-89	31.3-62.5	4.4-8.9	Mid	40	40
>50	>89	>62.5	>8.9	+	60	25

Для получения информации о жесткости используемой вами водопроводной воды Обратитесь в местную водоснабжающую организацию.

### В. Загрузка соли в устройство умягчения воды

Допускается использовать только специальную соль, предназначенную для посудомоечных машин.

**ПРИМЕЧАНИЕ.** Если ваша модель не оснащена устройством умягчения воды, то этот раздел вы можете пропустить.

### УСТРОЙСТВО УМЯГЧЕНИЯ ВОДЫ

Жесткость воды определяется конкретным местом эксплуатации. В слу-

чае использования в посудомоечной машине жесткой воды на посуде и столовых приборах будут образовываться отложения.

Прибор оснащен специальным устройством умягчения воды, которое обеспечивает удаление извести и минералов из воды с помощью специально предназначенной для этой цели соли.

Контейнер для соли располагается под нижней корзиной. Его заполнение производится указанным ниже образом:

### Внимание!

Разрешается применять только специальную соль, предназначенную для использования в посудомоечных машинах! Применение любой другой соли, не предназначенной для использования в посудомоечной машине, в частности столовой соли, может приводить к повреждению устройства умягчения воды. В отношении повреждений, вызванных использованием неподходящего вида соли, компания-изготовитель не предоставляет никакой гарантии и не несет ответственности за любые последствия таких действий.

Соль необходимо засыпать только непосредственно перед запуском одной из полных программ мытья.

Это позволит удалить со дна машины случайно просыпавшуюся соль или пролившуюся соленую воду и таким образом предотвратить коррозию, возникающую при длительном воздействии соли на дно машины.

## Посудомоечные машины

После завершения первого цикла мытья горячие на панели управления индикаторы гаснут.



А. Извлеките нижнюю корзину, а затем откройте и снимите крышку с контейнера для соли. **1**

В. Если вы заполняете контейнер в первый раз, залейте его водой на 2/3 объема (примерно 500 мл). **2**

С. Вставьте конец воронки (входит в комплект поставки) в отверстие и засыпьте примерно 2 кг соли для посудомоечной машины. Небольшое количество воды может вылиться обратно из контейнера для соли. Это нормальное явление.

Д. Установите на место крышку и аккуратно закрутите ее.

Е. Как правило, сигнальный индикатор контроля уровня соли гаснет через 2–6 дней после заполнения контейнера солью.

**ПРИМЕЧАНИЯ:**

1. После того как на панели управления загорится сигнальный индикатор контроля уровня соли, следует произвести дозаправку соли. Сигнальный индикатор контроля уровня соли может продолжать гореть даже при заполненном контейнере до тех пор, пока соль не растворится полностью. Если на панели управления отсутствует сигнальный индикатор контроля уровня соли (в некоторых моделях), то вы можете примерно рассчитать дату следующей заправки соли в устройство умягчения воды на основании количества циклов мытья, выполненных посудомоечной машиной (см. схему ниже).

2. Просыпавшуюся соль следует удалить, запустив программу замачивания.

**С. Заполнение дозатора ополаскивателя****Назначение ополаскивателя**

Ополаскиватель автоматически подается во время последнего цикла ополаскивания, обеспечивая более качественную очистку посуды и высушивание ее без образования пятен и подтеков.

**Внимание!**

Используйте только средства для ополаскивания известных марок,

предназначенные для посудомоечных машин. Запрещается заливать в дозатор ополаскивателя другие жидкости (например, средство для чистки посудомоечной машины или жидкое моющее средство). Это может привести к повреждению прибора.

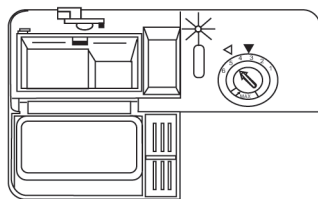
### Когда необходимо заправлять дозатор ополаскивателя

Если на контрольной панели отсутствует сигнальный индикатор уровня ополаскивателя, то оценить объем ополаскивателя вы можете по цвету оптического указателя уровня D, расположенного рядом с крышкой. Если контейнер заполнен ополаскивателем до максимального уровня, то указатель будет полностью темным. По мере расхода ополаскивателя размер темного круга будет уменьшаться. Не следует допускать снижения уровня ополаскивателя до объема менее 1/4 контейнера.

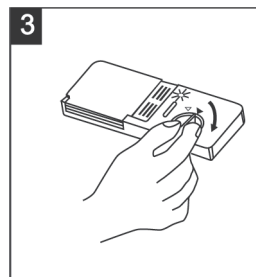
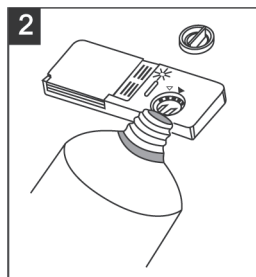
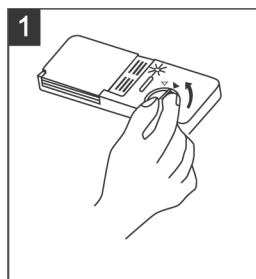
По мере расхода ополаскивателя размер темного круга на указателе уровня ополаскивателя изменяется, как показано на рисунках ниже.

- Полностью заполнен
- Заполнен на 3/4
- Заполнен на 1/2
- Заполнен на 1/4 – следует произвести заправку во избежание образования пятен
- Пустой

D Указатель уровня ополаскивателя



### ДОЗАТОР ОПОЛАСКИВАТЕЛЯ



## Посудомоечные машины

**1** Открыть дозатор. Для этого необходимо повернуть крышку в положение «открыто / open» (против часовой стрелки) и затем снять ее.

**2** Аккуратно, не допуская переполнения, залить в дозатор ополаскиватель.

**3** Установить крышку на место, поместив ее сначала так, чтобы стрелка указывала на положение «открыто / open», а затем повернуть так, чтобы стрелка указывала на положение «закрыто / closed» (по часовой стрелке)

Ополаскиватель подается на этапе окончательного ополаскивания и служит для предотвращения образования капель, которые могут приводить к появлению пятен и подтеков на посуде. Кроме того, он также способствует улучшению качества сушки, позволяя воде стекать с поверхности посуды.

Приобретенная вами посудомоечная машина рассчитана на применение жидких ополаскивателей. Дозатор ополаскивателя располагается внутри дверцы рядом с дозатором моющего средства.

Для заправки дозатора следует открыть крышку и затем вливать в отверстие ополаскиватель до тех пор, пока указатель уровня не станет полностью черным. Объем контейнера для ополаскивателя составляет примерно 140 мл.

Не допускайте переполнения дозатора, поскольку это может приводить к излишнему пенообразованию. Перелившийся через край ополаскиватель следует собрать влажной тканью.

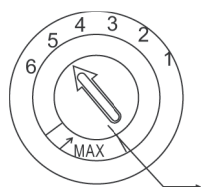
Перед закрытием дверцы посудомоечной машины следует обязательно установить на место крышку дозатора.

**Внимание!**

Чтобы предотвратить излишнее пенообразование во время последующего мытья посуды, следует обязательно собирать разлившийся в процессе заправки дозатора ополаскиватель, используя для этой цели тканевую салфетку из впитывающего материала.

**Настройка дозатора ополаскивателя**

Дозатор ополаскивания обеспечивает четыре или шесть вариантов настройки. Всегда следует начинать с установки дозатора в положение «4». Если в этом случае на посуде остаются пятна и не обеспечивается достаточное качество ее сушки, то следует увеличить количество дозируемого ополаскивателя, сняв крышку дозатора и переставив переключатель в положение «5». Если надлежащее качество сушки посуды по-прежнему не обеспечивается или на посуде остаются пятна, следует переставить переключатель в следующее положение. При необходимости указанную процедуру следует повторить до тех пор, пока на посуде не перестанут образовываться пятна. Заводская настройка дозирования – положение «5».



Регулятор дозировки  
(ополаскивателя)

### ПРИМЕЧАНИЯ:

Если после мытья посуды на ней остаются капли воды или следы извести, дозировку следует увеличить.

Если же на посуде остаются липкие белесые подтеки, а на стеклянной посуде и лезвиях ножей — голубоватая пленка, дозировку следует уменьшить.

### D. Типы и назначение моющих средств

Благодаря своему химическому составу моющие средства используются для очищения посуды от загрязняющих веществ, размельчения (растворения) и удаления их из посудомоечной машины. С этой целью может применяться большинство доступных в продаже качественных моющих средств.

#### Концентрированные моющие средства

По химическому составу средства для мытья посуды разделяются на два основных типа:

⇒ обычные щелочные моющие средства, содержащие едкие компоненты,

⇒ слабощелочные концентрированные моющие средства с природными энзимами.

Использование программы мытья «Эко» в сочетании с концентрированными моющими средствами снижает объем загрязняющих отходов и благоприятно влияет на посуду; в этой программе мытья используется исключительная способность энзимов, содержащихся в концентрированных моющих средствах, растворять загрязнения. Использование концентрированных моющих средств в программе мытья «Эко» по результатам сопоставимо с эффектом, обеспечиваемым программами интенсивного мытья.

#### Моющие средства в таблетках

Таблетированные моющие средства различаются скоростью растворения (зависит от конкретной марки).

Поэтому при использовании коротких программ мытья некоторые моющие средства в таблетках не могут полностью раствориться и обеспечить максимальный моющий эффект. Таким образом, таблетированные моющие средства следует применять в достаточно длинных программах мытья, что позволит гарантировать полное удаление остатков моющего средства с поверхности посуды.

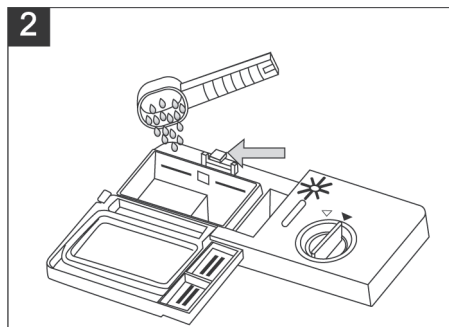
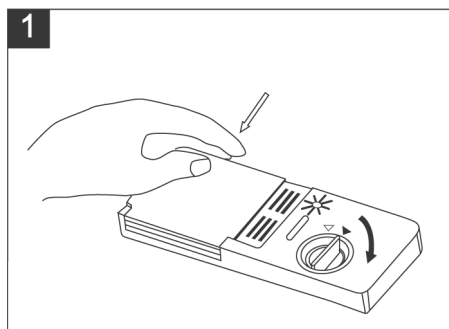
#### Дозатор моющего средства

Дозатор следует заправлять перед каждым запуском цикла мытья, руководствуясь при этом указаниями, приведенным в таблице с описанием программ для мытья посуды. В процессе работы приобретенная вами посудомоечная машина расходует меньше моющего средства и ополаскивателя по сравнению с посудомоечными машинами стандартной конструкции. Как правило, при нормальном уровне за-

## Посудомоечные машины

грязнения необходима всего одна столовая ложка моющего средства. При мытье сильно загрязненной посуды может потребоваться больше моющего средства. Добавлять моющее средство в посудомоечную машину всегда следует непосредственно перед запуском, иначе оно может намочить и не раствориться надлежащим образом.

### Количество используемого моющего средства



### ПРИМЕЧАНИЯ:

- 1 Если крышка закрыта, нажмите кнопку фиксатора. Пружинный зажим разожмется и крышка откроется.
- 2 Моющее средство следует добавлять непосредственно перед запуском цикла мытья. Используйте моющие средства только известных марок, предназначенные для посудомоечных машин.

### ПРЕДУПРЕЖДЕНИЕ!

Моющие средства для посудомоечной машины являются агрессивными веществами. Для их хранения следует использовать недоступные для детей места.

Всегда используйте только специальные моющие средства, предназначенные для посудомоечных машин. Храните моющие средства в чистом сухом месте. Не засыпайте порошковое моющее средство в посудомоечную машину заранее. Добавляйте его только непосредственно перед запуском программы мытья.

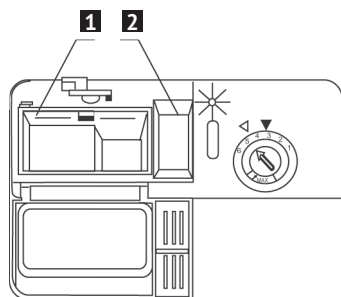
### Загрузка моющего средства

Добавьте моющее средство в дозатор моющего средства.

Уровни дозировки указаны отметками, как показано на рисунке справа:

- 1 Место загрузки моющего средства для основного цикла мытья, отметка «МИН / MIN» соответствует количеству моющего средства примерно 20 г.
- 2 Место загрузки моющего средства для предварительного цикла мытья, вместимость отсека составляет примерно 5 г.





Соблюдайте рекомендации компании-изготовителя по дозировке и условиям хранения, указанные на упаковке моющего средства.

Закройте крышку и нажмите на нее, зафиксировав ее на месте.

Если посуда сильно загрязнена, добавьте дополнительное количество моющего средства в отсек моющего средства для предварительного мытья. Это моющее средство будет использовано в цикле предварительного мытья.

### ПРИМЕЧАНИЕ

Информация о количестве моющего средства, используемого каждой программой, приведена в таблице в разделе 6. При этом необходимо учитывать, что возможны отклонения от указанных данных в зависимости от уровня загрязнения и величины жесткости воды. Соблюдайте инструкции компании-изготовителя, приведенные на упаковке с моющим средством.

### Виды моющих средств

Имеются моющие средства трех видов:

1. Содержащие фосфаты и хлор

2. Содержащие фосфаты, но не содержащие хлора

3. Не содержащие фосфатов и хлора

Как правило, все выпускаемые новые порошковые моющие средства не содержат фосфатов. Таким образом, способность фосфатов смягчать воду не используется. В таком случае мы рекомендуем добавлять соль в контейнер, даже если жесткость воды составляет всего 6 dH. При использовании не содержащих фосфатов моющих средств в условиях мытья в жесткой воде на посуде и стеклянных стаканах могут появляться белые пятна. В этом случае для улучшения качества мытья следует использовать больше моющего средства. Не содержащие хлора моющие средства обладают лишь ограниченным отбеливающим действием. Поэтому застарелые, а также цветные пятна полностью удаляться с посуды не будут. В таких случаях следует использовать программу с более высокой температурой.



### 5. ЗАГРУЗКА ПОСУДЫ В КОРЗИНЫ ПОСУДОМОЕЧНОЙ МАШИНЫ

Для обеспечения оптимальной работы посудомоечной машины в процессе загрузки в нее посуды следуйте приведенным ниже рекомендациям. Конструктивные особенности и характеристики корзин для посуды и лотков для столовых приборов могут отличаться в зависимости от модели.

### Требования, которые необходимо выполнять до или после загрузки посуды в корзины посудомоечной машины

Удалить с посуды крупные остатки пищи. Споласкивать посуду под проточной водой необязательно. Загрузите посуду в посудомоечную машину указанным ниже образом:

1. Чашки, стаканы, кастрюли/сковороды и другая подобная посуда загружается вверх дном.
2. Выпуклая и вогнутая посуда должна располагаться под наклоном, так чтобы с нее могла стекать вода.
3. Вся посуда должна стоять устойчиво, так чтобы предотвращалось ее опрокидывание.
4. Вся посуда должна располагаться таким образом, чтобы не создавались препятствия вращению распылительных коромысел во время мытья.

В посудомоечной машине запрещено мыть очень мелкие предметы, которые могут легко проваливаться сквозь прутья корзины.

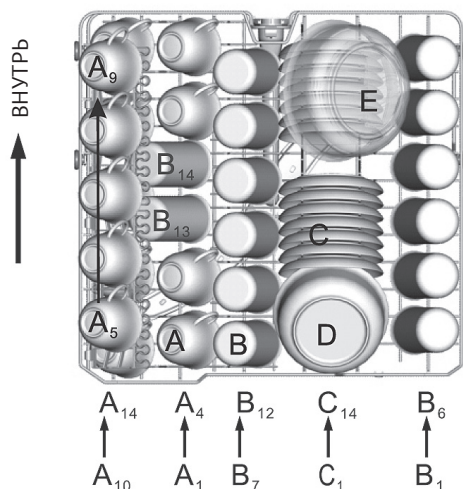
### Извлечение посуды

С целью предотвращения попадания капель воды с посуды в верхней корзине на посуду, расположенную в нижней корзине, рекомендуется сначала выгружать посуду из нижней корзины, а только затем из верхней.

### Загрузка посуды в верхнюю корзину

Верхняя корзина предназначена для размещения более легкой и требующей бережного обращения посуды, например: стаканов, кофейных и чайных чашек и блюдец, а также тарелок, небольших мисок и неглубоких сковород (если они не очень загрязнены). Расположите посуду и кухонную утварь таким образом, чтобы она не смещалась под действием струи воды.

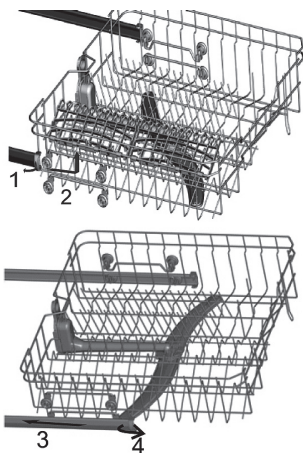
### Верхняя корзина



Верхняя корзина	
Тип	Что можно разместить
A	Чашки
B	Стаканы
C	Блюдца
D	Сервировочные миски
E	Сервировочные миски

### Регулировка верхней корзины

При необходимости высота верхней корзины может быть отрегулирована с целью освобождения дополнительного пространства для размещения крупной посуды в верхнюю или нижнюю корзину. Высота верхней корзины регулируется путем установки роликов на различные уровни. Длинные предметы, сервировочные столовые приборы, приборы для салата и ножи следует размещать на полке таким образом, чтобы они не препятствовали вращению распылительных коромысел. Полка может быть сложена или извлечена, если в ней нет необходимости.



### Загрузка посуды в нижнюю корзину

В нижнюю корзину рекомендуется загружать крупные предметы, которые сложнее поддаются мытью: кастрюли, сковороды, крышки, сервировочные блюда и миски (см. рисунок ниже).

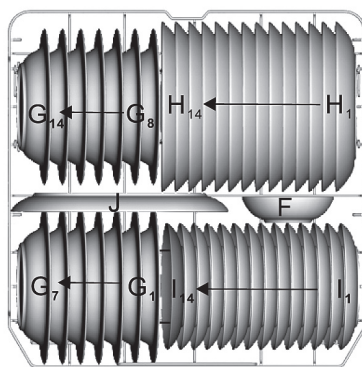
Чтобы предотвратить блокировку вращения верхнего распылительного коромысла, желательно располагать сервировочные блюда и крышки по бокам корзины.

Кастрюли, сервировочные миски и и другую подобную посуду следует всегда размещать вверх дном.

Глубокие кастрюли должны располагаться под наклоном, так чтобы с них могла стекать вода.

В конструкции нижней корзины предусмотрен ряд складных штырей, что позволяет загрузить кастрюли и сковороды большего размера или освободить пространство для дополнительных кастрюль и сковород.

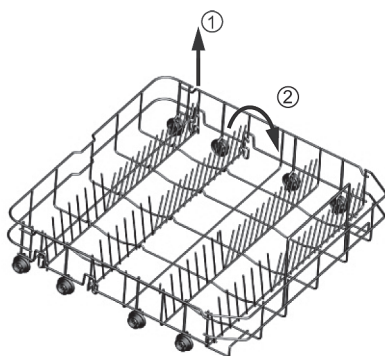
### Нижняя корзина



Нижняя корзина	
Тип	Что можно разместить
F	Сервировочные миски
G	Глубокие тарелки
H	Мелкие тарелки
I	Десертные тарелки
J	Овальная тарелка

**\* Нижняя корзина со складными держателями**

Складные держатели, состоящие из двух частей и расположенные на нижней корзине машины, позволяют упростить размещение большой посуды, например, кастрюль, сковород и т.д. В случае необходимости каждая часть может складываться отдельно, либо для освобождения большего свободного пространства могут быть сложены обе части. Вы можете использовать складные держатели, поднимая их вверх или складывая вниз.

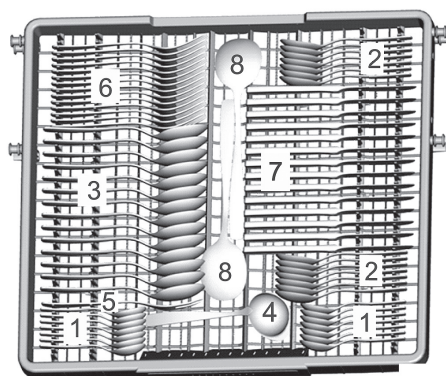


**\* Дополнительное оснащение**

**Лоток для столовых приборов и полка для вилок**

Столовые приборы следует размещать в лотке в соответствии со схемой, показанной на рисунке ниже. Столовые приборы должны быть расположены таким образом, чтобы вода могла свободно стекать.

**Лоток для столовых приборов**



Сторона двери



Лоток для столовых приборов	
Тип	Что можно разместить
1	Чайные ложки
2	Десертные ложки
3	Столовые ложки
4	Ложка для соуса
5	Сервировочная вилка
6	Вилки
7	Ножи
8	Сервировочные ложки

Мытье перечисленных ниже столовых приборов и посуды в посудомоечной машине

**не допускается**

Столовые приборы с ручками из дерева, костяного фарфора или перламутра

Пластиковая нежаропрочная посуда

Старые столовые приборы со склеенными нетермостойкими частями

Столовые приборы или посуда с накладными элементами

Оловянная и медная посуда

Изделия из хрусталя

Стальная посуда, не стойкая к появлению ржавчины

Деревянные тарелки

Посуда из синтетического волокна



### **ПРЕДУПРЕЖДЕНИЕ!**

Столовые предметы не должны выступать за пределы дна корзины.

### **Допускается с некоторыми ограничениями**

Некоторые виды стекла могут тускнеть при частом мытье в машине

Предметы из серебра и алюминия имеют тенденцию терять цвет во время мытья

Глазурованные предметы могут потускнеть из-за частого мытья в машине

**ПРИМЕЧАНИЕ:** Не допускается загружать в посудомоечную машину посуду, загрязненную сигаретным пеплом, свечным воском, лаком или краской. При покупке новой посуды всегда проверяйте, допускает ли она мытье в посудомоечной машине.

**ПРИМЕЧАНИЕ:** Не перегружайте посудомоечную машину. Она рассчита-

на мытье не более 14 комплектов стандартной столовой посуды.

Не загружайте внутрь посуду, которая не предназначена для мытья в посудомоечных машинах. Выполнение этих правил позволит вам обеспечить оптимальный результат и снизить потребление электроэнергии.

### **Загрузка столовых приборов и посуды**

Перед загрузкой посуды следует:

Очистить ее от крупных остатков пищи

Размягчить остатки пригоревшей к сковородам пищи

### **При загрузке посуды и столовых приборов необходимо принимать во внимание следующее:**

Посуда и столовые приборы не должны препятствовать вращению распылительных коромысел.

Загружать полые предметы, например, чашки, стаканы, сковороды и другие следует отверстием вниз, так чтобы внутри них не скапливалась вода.

Посуда и столовые приборы не должны располагаться внутри другой посуды или приборов или закрывать друг друга.

➔ Во избежание повреждения стаканы не должны соприкасаться друг с другом.

## Посудомоечные машины

⇒ Крупные предметы, которые сложнее поддаются мытью, следует загружать в нижнюю корзину.

⇒ Верхняя корзина предназначена для размещения более легкой и требующей бережного обращения посуды, например: стаканов, кофейных и чайных чашек.

**Внимание!**

Вертикальное размещение ножей с длинными лезвиями может привести к созданию опасных ситуаций.

Длинные и/или остроконечные столовые приборы, например, ножи для нарезки, следует укладывать в верхнюю корзину в горизонтальном положении.

**Повреждение стаканов и другой посуды****Возможные причины:**

⇒ Несовместимый тип стекла или технология изготовления. Недопустимый химический состав моющего средства.

⇒ Неправильно выбранная температура воды и длительность программы мытья.

**Рекомендации по решению проблемы:**

⇒ Выполняйте мытье в посудомоечной машине стеклянной или фарфоровой посуды только в том случае, если такой способ чистки разрешен компанией-изготовителем этих изделий.

⇒ Используйте мягкие моющие средства, предназначенные для данного вида посуды. При необходимости запросите дополнительную информацию у изготовителя моющего средства.







⇒ Используйте программы с низкой температурой.

⇒ Чтобы предотвратить повреждения, извлекайте стаканы и столовые приборы из посудомоечной машины как можно раньше после окончания программы мытья.

**После окончания процесса мытья**

После завершения рабочего цикла зуммер выдает 6 раз звуковой сигнал, затем производится останов посудомоечной машины. Отключите прибор, нажав кнопку включения/отключения питания, перекройте подачу воды и откройте дверцу посудомоечной машины. Перед выгрузкой посуды из посудомоечной машины следует подождать несколько минут, пока посуда или столовые приборы не остынут. Извлечение горячей посуды может приводить к ее повреждению. Остывание посуды также способствует более полному ее высыханию.

**6. ЗАПУСК ПРОГРАММЫ МЫТЬЯ****Таблица с описанием программ для мытья посуды**

Программа	Информация о назначении программы	Описание программы	Количество моющего средства для предварительного / основного мытья	Время выполнения (мин)	Энергопотребление (кВтч)	Расход воды (л)
 Интенсивное мытье	Для посуды со значительными загрязнениями, например, кастрюль, сковород, форм для запекания и посуды с прихосшими остатками пищи.	Предварительное мытье Основное мытье (60°C) Ополаскивание 1 Ополаскивание 2 Ополаскивание горячей водой Сушка	5/30 (или «3 в 1»)	171	1,50	18
 Эко (EN 50242) (стандартная программа)	Для посуды с нормальным уровнем загрязнения, например, кастрюль, тарелок, стаканов и незначительно загрязненных сковород, стандартный цикл ежедневного ухода.	Предварительное мытье Основное мытье (46°C) Ополаскивание Ополаскивание горячей водой Сушка	5/30 (или «3 в 1»)	151	1,06	14
 Деликатное мытье	Программа «Деликатное мытье» предназначена для ухода за посудой, чувствительной к воздействию высоких температур. (цикл следует запускать непосредственно после использования такой посуды)	Предварительное мытье Основное мытье (45°C) Ополаскивание Ополаскивание горячей водой Сушка	5/20 (или «3 в 1»)	147	0,95	14
 Хрусталь	Для посуды с незначительным уровнем загрязнения, например, тарелок, стаканов, мисок и незначительно загрязненных сковород.	Основное мытье (46°C) Ополаскивание Ополаскивание горячей водой Сушка	5/20	118	0,90	11
 Быстрое мытье	Короткий цикл мытья для посуды с небольшим уровнем загрязнения, которой не требуется сушка.	Основное мытье (40°C) Ополаскивание горячей водой	15	36	0,55	7
 Предварительное ополаскивание	Для ополаскивания посуды, мытье которой планируется выполнить позже в этот же день.	Предварительное мытье	/	11	0,01	4
60 мин	Подходит для мытья тарелок и сковород с небольшим и нормальным уровнем загрязнения, для ежедневного ухода за посудой.	Ополаскивание горячей водой 1 Ополаскивание горячей водой 2 Ополаскивание горячей водой (60°C) Сушка	5/20	60	1,00	11,5

\* EN 50242: эта программа является циклом, который прошел тестирование

Информация для сравнительного тестирования в соответствии с EN 50242:

-- Загрузка: 11 комплектов посуды

-- Положение верхней корзины: нижнее положение

-- Настройка подачи ополаскивателя: 5 (или 4 для дозаторов с четырьмя настройками)

## Посудомоечные машины

**Включение прибора**

Запуск цикла мытья

Выдвиньте нижнюю и верхнюю корзины, загрузите посуду и

1. Задвиньте корзины обратно. Рекомендуется сначала загрузить посуду в нижнюю корзину, а затем – в верхнюю (см. раздел «Загрузка посуды в корзины посудомоечной машины»). Добавьте моющее средство (см. раздел «Соль, моющее средство, и ополаскиватель»).

2. Вставьте вилку в розетку. Параметры сети электропитания: 220–240 В переменного тока, 50 Гц, технические параметры розетки: 12 А, 250 В переменного тока, 50 Гц.

Убедитесь в том, что кран подачи воды открыт и обеспечивается необходимое давление. Откройте дверцу, нажмите кнопку ВКЛ/ОТКЛ, затем кнопку выбора программы (Program), чтобы выбрать требуемую программу мытья (см. раздел «Таблица с описанием программ для мытья посуды»). Для обеспечения необходимой герметичности закрывать дверцу необходимо с небольшим усилием.

**ПРИМЕЧАНИЯ:** При плотном закрывании дверцы раздается характерный щелчок.

После окончания программы мытья необходимо отключить посудомоечную машину, нажав кнопку ВКЛ/ОТКЛ.

**Изменение программы**

Предварительное условие: Выполняемая программа мытья может быть изменена только в том случае, если она была запущена совсем недавно. Иначе

моющее средство уже может быть подано внутрь посудомоечной машины, и она уже могла выполнить слив воды основного цикла мытья. В таком случае следует заново заправить дозатор моющего средства (см. раздел «Загрузка моющего средства»).

Откройте дверцу, нажмите кнопку текущей программы и удерживайте ее не менее трех секунд, чтобы отменить программу. После этого вы можете изменить и запустить необходимую программу мытья посуды (см. раздел «Запуск цикла мытья»). Затем закройте дверцу.

**ПРИМЕЧАНИЕ.** При открытии дверцы в процессе мытья работа машины автоматически приостанавливается, выдается предупредительный звуковой сигнал и на дисплей выводится код E1. После закрытия дверцы машина через 10 секунд автоматически возобновит работу.

Состояние посудомоечной машины отображается с помощью 6 индикаторов контроля выполнения программ:

- a) Если все индикаторы программ отключены → режим ожидания
- b) Если один из индикаторов контроля выполнения программ горит → выполняется цикл
- c) Если один из индикаторов контроля выполнения программ мигает → цикл приостановлен (пауза)

**ПРИМЕЧАНИЕ:** Если начинают мерцать все индикаторы, это означает, что в машине возникла неисправность. В таком случае следует отключить машину от сети питания, перекрыть подачу воды и обратиться в сервисный центр.



### Добавление дополнительной посуды

Дополнительная посуда может быть добавлена в любое время до тех пор, пока не откроется емкость с моющим средством.

1 Приоткройте дверцу, чтобы остановить процесс мытья.

2 После того, как распылительные коромысла остановятся, вы можете полностью открыть дверцу.

3 Добавьте внутрь дополнительную посуду.

4 Закройте дверцу, посудомоечная машина возобновит процесс мытья через 10 секунд.

### ПРЕДУПРЕЖДЕНИЕ!

Открывать дверцу во время выполнения процесса мытья опасно, это может привести к ожогу горячей водой.

### Отключение посудомоечной машины

На цифровой дисплей будет выведено «-», и зуммер выдает 6 раз звуковой сигнал, что будет свидетельствовать о том, что программа завершена.

1 Отключите посудомоечную машину, нажав кнопку включения/отключения питания.

2 Закройте водопроводный кран.

Осторожно откройте дверцу. При открытии дверцы может выходить горячий пар!

☞ Горячая посуда легко поддается повреждениям. Поэтому прежде чем вынимать посуду из машины, оставьте ее остывать примерно на 15 минут.

☞ Откройте дверцу посудомоечной машины, оставьте ее приоткрытой

и подождите несколько минут, прежде чем вынимать посуду. Это позволит посуде остыть и более качественно высохнуть.

### Выгрузка посуды из посудомоечной машины

Внутри посудомоечной машины имеется влага – это нормальное явление.

Сначала выгрузите посуду из нижней корзины, а затем из верхней. Это позволит избежать попадания капель с посуды в верхней корзине на посуду в нижней корзине.



## 7. ТЕХНИЧЕСКОЕ ОБСЛУЖИВАНИЕ И ЧИСТКА

### Система фильтрации

Система фильтрации предотвращает попадание в насос крупных остатков пищи и других загрязнений. Наличие такие остатков может приводить к блокировке фильтра.

Система фильтрации состоит из фильтра грубой очистки, плоского (основного фильтра) и микрофильтра (фильтра тонкой очистки).

#### 1 Плоский фильтр

Частицы пищи и загрязнения улавливаются специальным соплом нижнего распылительного коромысла.

#### 2 Фильтр грубой очистки

Фильтр грубой очистки улавливает более крупные предметы, например, частицы костей и стекла, которые могут приводить к засорению сливного шланга.

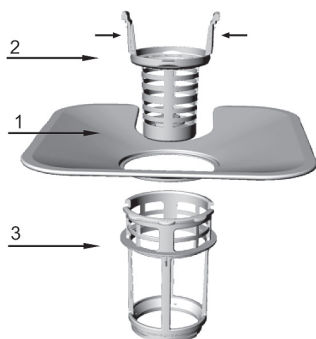
Для очистки этого фильтра необходимо сжать его в верхней части и затем извлечь.

### 3 Микрофильтр

Этот фильтр улавливает загрязнения и остатки пищи в области поддона и предотвращает повторное оседание их на посуде во время цикла мытья.

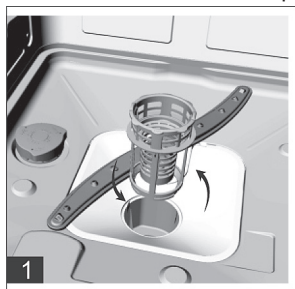
⇒ Перед каждым использованием посудомоечной машины необходимо проверять фильтры на предмет засоров.

⇒ Для извлечения системы фильтрации выкрутите фильтр грубой очистки. Затем удалите все имеющиеся остатки пищи и очистите фильтры под проточной водой.



Шаг 1. Поверните фильтр грубой очистки против часовой стрелки, затем извлеките его.

Шаг 2. Извлеките плоский фильтр.



**ПРИМЕЧАНИЕ:** Для извлечения системы фильтрации выполните операции с шага 1 по шаг 2, для установки системы фильтрации выполните указанные операции в обратном порядке – с шага 2 по шаг 1.

#### Узел фильтрации

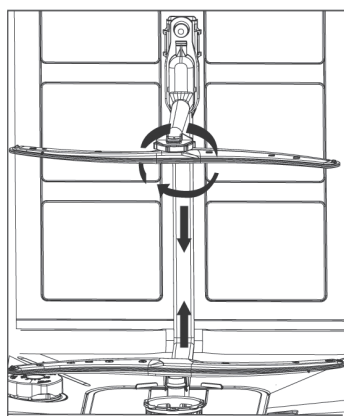
Для обеспечения более эффективного мытья посуды и поддержания его качества на оптимальном уровне необходимо регулярно проводить очистку узла фильтрации. Фильтры улавливают находящиеся в воде частицы пищи, позволяя повторно использовать воду в процессе мытья. По этой причине для обеспечения нормальной очистки воды рекомендуется удалять из фильтра крупные частицы пищи после каждого цикла мытья, промывая полукруглый фильтрующий элемент и чашу под проточной водой. Чтобы извлечь узел фильтрации, потяните за ручку чаши вверх. Полную очистку узла фильтрации следует проводить раз в неделю. Чтобы удалить загрязнения с фильтра грубой очистки и микрофильтра, используйте щетку. Затем снова соберите узел фильтрации, как показано на рисунках выше,

вставьте собранный узел в посудомоечную машину и, нажав на него вниз, зафиксируйте его на месте. Запрещается использовать посудомоечную машину без фильтров. Неправильная установка фильтра может приводить к снижению эффективности работы прибора, а также повреждению посуды и самого прибора.

### **⚠ ПРЕДУПРЕЖДЕНИЕ!**

Запрещается использовать посудомоечную машину без установленных фильтров. При очистке фильтров соблюдайте осторожность. Не допускайте ударов о другие предметы

В противном случае работа фильтров может быть нарушена, а также может быть снижена эффективность посудомоечной машины.



### **Очистка распылительных коромысел**

Необходимо регулярно проводить очистку распылительных коромысел, чтобы содержащиеся в жесткой воды

химические вещества не забивали сопла и подшипники распылительных коромысел.

Чтобы снять распылительное коромысло, необходимо сначала открутить гайку, повернув ее по часовой стрелке, и извлечь расположенное сверху распылительного коромысла уплотнение. Промойте коромысла в теплой мыльной воде, для прочистки сопел используйте щетку с мягкой щетиной. Тщательно ополосните их и установите на место.

### **Уход за посудомоечной машиной**

Для очистки панели управления используйте слегка смоченную в воде ткань, затем вытрите поверхности насухо.

Для очистки внешних панелей корпуса используйте качественный полировочный воск, предназначенный для ухода за бытовой техникой.

Для чистки поверхностей и деталей посудомоечной машины запрещается применять острые предметы, губки с абразивным покрытием и агрессивные чистящие средства.

### **Защита от замораживания**

Если посудомоечную машину планируется оставить в неотапливаемом помещении зимой, следует обратиться в техническую службу для принятия следующих мер:

1. Отключить посудомоечную машину от сети электропитания.
2. Перекрыть подачу воды и отсоединить трубу подачи воды от клапана подачи воды.

## Посудомоечные машины

3. Слить воду из трубы подачи воды и клапана подачи воды (для сбора вытекающей воды использовать поддон).

4. Снова подсоединить трубу подачи воды к клапану подачи воды.

5. Извлеките фильтр из нижней части машины и с помощью губки соберите воду из поддона.

**Чистка дверцы**

Для очистки поверхностей дверцы по периметру разрешается использовать только мягкую ткань, смоченную в теплой воде. С целью предотвращения попадания воды в замок дверцы и на электрические компоненты запрещается применять пульверизаторы.

Кроме того, не допускается использовать абразивные чистящие средства и губки с абразивным покрытием, так как они могут оставлять царапины на поверхности. Также следует учесть, что некоторые бумажные полотенца могут царапать или оставлять следы на поверхности.

**ПРЕДУПРЕЖДЕНИЕ!**

Для очистки панели дверцы запрещается использовать пульверизатор, так как это может привести к повреждению замка и электрических компонентов. Не допускается также применять абразивные чистящие вещества и некоторые виды бумажных полотенец, так как они могут оставлять царапины и пятна на поверхностях из нержавеющей стали.

**Порядок ухода за посудомоечной машиной**

➔ После каждого мытья посуды

После каждого мытья посуды переключайте подачу воды к прибору и оставляйте дверцу чуть приоткрытой, чтобы внутри посудомоечной машины не скапливалась влага и неприятные запахи.

➔ Извлекайте вилку из розетки

Перед проведением чистки или технического обслуживания обязательно извлекайте вилку из розетки. Не подвергайте себя опасности!

➔ Не используйте растворители или абразивные чистящие вещества

Не используйте растворители и абразивные чистящие вещества для очистки внешних поверхностей корпуса и резиновых деталей посудомоечной машины. С этой целью допускается применять только тканевые салфетки и теплый мыльный раствор. Для удаления с внутренних поверхностей пятен и налета следует использовать тканевую салфетку, смоченную в воде с небольшим количеством уксуса, или специальные чистящие средства для посудомоечных машин.

➔ Если посудомоечная машина не будет использоваться длительный период времени

Если вы уезжаете на длительное время, например, в отпуск, и посудомоечной машиной никто не будет пользоваться, то перед отъездом рекомендуется запустить цикл стирки без загрузки посуды, а затем извлечь вилку из розетки, перекрыть подачу воды и оставить дверцу прибора слегка приоткрытой. Это позволит продлить срок службы уплотнителей и предотвратить появление в приборе неприятного запаха.

### Перемещение прибора

При перемещении прибора по возможности удерживайте его в вертикальном положении. В случае крайней необходимости допускается положить его на заднюю панель.

### Уплотнители

Одна из причин появления неприятного запаха в посудомоечной машине – накапливание в уплотнителях остатков пищи. С целью предотвращения этого требуется регулярная чистка уплотнителей влажной губкой.

### **Внимание!**

Прокладка труб и установка электрооборудования должны осуществляться только профессионалами.

### **ПРЕДУПРЕЖДЕНИЕ!**



### Опасность поражения электрическим током!

Перед установкой посудомоечной машины обязательно отключайте ее от источника электропитания.

Несоблюдение этого требования может приводить к поражению электрическим током с тяжелыми травмами вплоть до летального исхода.

## **8. РЕКОМЕНДАЦИИ ПО ПОИСКУ УСТРАНЕНИЮ НЕИСПРАВНОСТЕЙ**

### Коды неисправностей/сбоев

В случае возникновения некоторых неисправностей и сбоев на дисплей прибора выводятся соответствующие коды для предупреждения об этом пользователя:

Код	Значение	Возможная причина
E1	Открыта дверца	Открыта дверца во время работы посудомоечной машины
E2	Не подается вода	Сбой подачи воды
E3	Не производится слив воды	Сбой при сливе воды
E4	Неисправность датчика температуры	Возникла неисправность датчика температуры
E5	Переполнение / утечка	Возникло переполнение или утечка воды
E6	Утечка воды	Возникла утечка воды
E7	Неисправность нагревательного элемента	Перегрев

### **ПРЕДУПРЕЖДЕНИЕ!**

В случае возникновения переполнения перед обращением в сервисный центр необходимо перекрыть подачу воды в прибор. Если в результате переполнения или небольшой утечки в поддон попало небольшое количество воды, то перед последующим пуском посудомоечной машины эту воду следует удалить.

## Посудомоечные машины

**Перед обращением в сервисный центр**

Перед тем как обратиться в сервисный центр, ознакомьтесь с информацией, приведенной в таблице ниже, возможно, вы сможете устранить возникшее нарушение самостоятельно.

Нарушение в работе	Возможная причина	Что следует предпринять
Не включается посудомоечная машина	Перегорел предохранитель или сработал защитный автоматический выключатель	Замените предохранитель или выполните сброс автоматического выключателя. Отключите другие бытовые приборы, подключенные к той же цепи, что и посудомоечная машина.
	Не включена подача питания	Убедитесь в том, что посудомоечная машина включена, а дверца плотно закрыта. Убедитесь в том, что вилка правильно вставлена в настенную розетку.
	Низкое давление воды	Убедитесь в том, что подключение к водопроводу выполнено правильно и подача воды включена.
Не останавливается сливной насос	Переполнение	Система обеспечивает автоматическое обнаружение переполнения. В случае возникновения переполнения отключается циркуляционный насос и включается сливной насос.
Шум при работе	Некоторые звуки не свидетельствуют о каких-либо нарушениях в работе	Открывается емкость с моющим средством.
	Столовые приборы не зафиксирована в корзинах или в корзине упал небольшой предмет	Проверить расположение посуды в посудомоечной машине.
	Гудит электродвигатель	Посудомоечная машина используется нерегулярно. Если вы используете ее редко, необходимо организовать заполнение и откачивание в еженедельном режиме, что позволит поддерживать уплотнения во влажном состоянии.
Пена в поддоне	Неподходящее моющее средство	С целью предотвращения образования пены в поддоне используйте только специальное моющее средство, предназначенное для посудомоечной машины. В случае обнаружения пены откройте посудомоечную машину и дождитесь испарения пены. Залейте в поддон примерно 4 литра холодной воды. Закройте и заблокируйте посудомоечную машину, затем запустите цикл предварительного мытья, чтобы слить воду. При необходимости повторите.
	Разлилось средство для ополаскивания	Если разлилось средство для ополаскивания, обязательно вытрите поверхности насухо.

## Посудомоечные машины

Цветные пятна внутри поддона	Использовалось моющее средство с красителем	Убедитесь в том, что моющее средство не содержит красителя
Посуда и столовые приборы не очищаются	Неправильно выбрана программа	Выберите более интенсивную программу мытья.
	Неправильная загрузка посуды в корзину	Убедитесь в том, что работа дозатора моющего средства и распылительных коромысел не заблокирована посудой.
Пятна и пленка на стаканах и столовых приборах	<ol style="list-style-type: none"> <li>1 Чрезмерно жесткая вода</li> <li>2 Низкая температура на входе</li> <li>3 Перегрузка посудомоечной машины</li> <li>4 Неправильная загрузка посуды</li> <li>5 Старое или влажное порошковое моющее средство</li> <li>6 Пустой дозатор ополаскивателя</li> <li>7 Неправильная дозировка моющего средства</li> </ol>	<p>Чтобы удалить пятна со стеклянной посуды:</p> <ol style="list-style-type: none"> <li>1 Извлеките из посудомоечной машины все металлические столовые приборы.</li> <li>2 Не добавляйте моющее средство.</li> <li>3 Выберите самый длинный цикл.</li> <li>4 Запустите посудомоечную машину и оставьте ее работать в течение примерно 18–22 минут, при этом она перейдет к выполнению основного цикла мытья.</li> <li>5 Откройте дверцу и вылейте в нижнюю часть посудомоечной машины 2 чашки белого уксуса.</li> <li>6 Закройте дверцу и дайте посудомоечной машине закончить цикл. Если уксус не помог: Повторите указанную выше процедуру, но вместо уксуса используйте 1/4 стакана (60 мл) лимонной кислоты в порошкообразной (кристаллической) форме.</li> </ol>
Мутный налет на стекле	Сочетание мягкой воды и слишком большого объема моющего средства	Если у вас мягкая вода, используйте меньшее количество моющего средства и выбирайте более короткий цикл для мытья и очистки стеклянной посуды.
Желтая или коричневая пленка на внутренних поверхностях	Пятна от чая или кофе	<p>Для ручного удаления пятен используйте раствор из 1/2 стакана отбеливателя и 3 стаканов теплой воды.</p> <p>Предупреждение!</p> <p>Перед тем как приступить к очистке внутренних поверхностей, необходимо после окончания цикла подождать 20 минут, чтобы нагревательные элементы остыли, иначе можно получить ожоги.</p>
	К образованию пленки могут приводить отложения железа в воде	Вам необходимо обратиться в компанию, занимающуюся умягчением воды, для приобретения специального фильтра.
Белая пленка на внутренних поверхностях	Минералы жесткой воды	Для чистки внутренних поверхностей используйте влажную губку с моющим средством для посудомоечной машины, перед выполнением этой работы надевайте резиновые перчатки. Во избежание образования пены с этой целью необходимо использовать только моющее средство, предназначенное для посудомоечной машины.

## Посудомоечные машины

Не закрывается плотно крышка дозатора моющего средства	Остатки моющего средства не позволяют фиксатору плотно закрыть крышку	Очистите фиксатор от моющего средства.
В емкости дозатора осталась моющее средство	Посуда перекрыла отверстия в емкости для моющего средства	Правильно загрузить посуду в корзины.
Выходит пар	Это нормальное явление	В процессе сушки и слива воды через вентиляционные отверстия дверцы может выходить некоторое количество пар.
Черные или серые пятна на посуде	Контакт посуды с алюминиевыми приборами	Чтобы удалить эти пятна, используйте мягкое абразивное чистящее средство.
Наличие воды на дне поддона	Это нормальное явление	Небольшое количество чистой воды рядом с выходным отверстием на дне поддона обеспечивает смазку уплотнения.
Утечка воды из посудомоечной машины	Переполнился дозатор или разлился ополаскиватель	Не допускайте переполнения дозатора ополаскивателя. Разлившийся ополаскиватель может вызвать повышенное пенообразование и приводить к переполнению. Разлившийся ополаскиватель следует собрать влажной тканью.
	Посудомоечная машина установлена неровно	Выровняйте положение посудомоечной машины по уровню.



**Технические данные**

Технические данные бытовой посудомоечной машины в соответствии с Директивой ЕС 1059/2010:

Компания-изготовитель	KUPPERSBERG
Модель	GS 6020
Количество загружаемых стандартных комплектов	14
Класс энергоэффективности <sup>1</sup>	A +
Ежегодное потребление энергии <sup>2</sup>	299 кВтч
Энергопотребление при стандартном цикле мытья	1,06 кВтч
Потребляемая мощность в выключенном режиме	0,1 Вт
Потребляемая мощность при включении	0,9 Вт
Ежегодное потребление воды <sup>3</sup>	3920 л
Класс эффективности сушки <sup>4</sup>	A
Стандартный цикл мытья <sup>5</sup>	Эко
Продолжительность программы стандартного цикла мытья	151 мин
Уровень шума	47 дБ(А) для 1 пВт
Тип установки	Встраиваемый прибор
Возможность встраивания	Да
Высота	81,5 см
Ширина	59,6 см
Глубина (с разъемами)	55,8 см
Потребляемая мощность	1850 Вт
Номинальное напряжение / частота	220–240 В перем. тока / 50 Гц
Давление воды (гидродинамическое)	0,4–10 бар = 0,04–1,0 МПа
Температура воды	Макс. 62 °С

**ПРИМЕЧАНИЯ:**

1. От A+++ (наивысшая эффективность) до D (наименьшая эффективность).
2. Энергопотребление в размере 299 кВтч в год рассчитано на основе 280 стандартных циклов мытья с использованием холодной водопроводной воды и режимов с низким потреблением мощности. Фактическое энергопотребление будет зависеть от конкретного использования прибора.
3. Потребление воды в размере 3920 литров в год рассчитано на основе 280 стандартных циклов мытья. Фактическое потребление воды будет зависеть от конкретного использования прибора.
4. От A (наивысшая эффективность) до G (наименьшая эффективность).
5. Эта программа подходит для чистки нормально загрязненной столовой посуды и является наиболее эффективной в плане соотношения потребления электроэнергии и расхода воды для такого типа столовой посуды.

## Посудомоечные машины

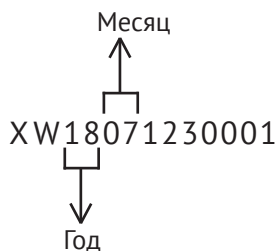
Данный прибор соответствует европейским стандартам и директивам в текущей на момент поставки редакции:

- Директива ЕС на низковольтное оборудование 2006/95/ЕС
- Директива по электромагнитной совместимости 2004/108/ЕС
- Директива на энергопотребляющие изделия (ЕUR 2010/1016)

**ПРИМЕЧАНИЯ:** Указанные выше значения были измерены в соответствии со стандартами условиями эксплуатации. Результаты могут в значительной степени отличаться в зависимости от количества и загрязнения посуды, жесткости воды, количество моющего средства и других факторов.

Данное руководство по эксплуатации подготовлено с учетом требований правил и стандартов, действующих в Европейском союзе.

### ОПРЕДЕЛЕНИЕ ДАТЫ ПРОИЗВОДСТВА ТОВАРА ПО СЕРИЙНОМУ НОМЕРУ:



#### Производитель:

Жонгшан Галанз Консумер Электрик Аплиансес Ко..Лтд., Китай

#### Уполномоченное изготовителем лицо:

ООО «Эм-Джи Русланд», 141400  
г. Химки, ул. Бутаково, д.4

**NOTES / ДЛЯ ЗАМЕТОК**

---

---

---

---

---

---

---

---

---

---

---

---

---

---

---

---

---

---

---

---

---

---

---

---

**NOTES / ДЛЯ ЗАМЕТОК**

---

---

---

---

---

---

---

---

---

---

---

---

---

---

---

---

---

---

---

---

---

---

---

**NOTES / ДЛЯ ЗАМЕТОК**

---

---

---

---

---

---

---

---

---

---

---

---

---

---

---

---

---

---

---

---

---


---

---

---

## ООО «КУППЕРСБЕРГ-СЕРВИС»

УСТАНОВКА, ГАРАНТИЙНОЕ И ПОСТГАРАНТИЙНОЕ ОБСЛУЖИВАНИЕ  
ПО МОСКВЕ И МОСКОВСКОЙ ОБЛАСТИ

 +7 (495) 236-90-67

---

Телефон горячей линии Kuppertsberg:

 8 (800) 250-17-18

(Звонки для всех регионов бесплатные).

 Часы работы линии: с 9:00 до 18:00 Пн-Пт

---

⇒ Полный список авторизованных сервисных центров Kuppertsberg можно найти на официальном сайте компании:

 <http://kuppertsberg.ru>

---

⇒ Данный паспорт технического изделия заменяет гарантийный талон.

⇒ Гарантийный срок исчисляется со дня заключения договора купли-продажи.

⇒ При отсутствии документов, подтверждающих покупку, эти сроки исчисляются со дня изготовления товара (Ст. 19 ЗоЗПП, пункт 2).

---

## УСЛОВИЯ ГАРАНТИИ

Настоящие условия гарантии действительны на территории России, если иные условия не установлены действующим законодательством:

1. Изготовитель устанавливает гарантийный срок 2 (два) года со дня передачи Потребителю на следующие виды техники: воздухоочистители, встраиваемую технику. Срок службы бытовой техники «Kuppertsberg» при соблюдении правил эксплуатации и применения ее в бытовых целях составляет 10 (десять) лет.

2. Гарантия распространяется на изделия, используемые только для личных, семейных, домашних нужд, а также нужд, не связанных с осуществлением предпринимательской деятельности.

3. Проследите, чтобы гарантийный талон был правильно заполнен, не имел исправлений и в нем были указаны: дата продажи, штамп торговой организации и подпись продавца, модель и серийный номер изделия, дата установки, название и штамп фирмы-установщика.

4. Сохраняйте гарантийный документ, чек на проданное изделие и квитанцию на услуги по его установке (доставке), доработке водяных и электрических внутриквартирных коммуникаций, а также любые другие документы, относящиеся к гарантийному или техническому обслуживанию изделия.

5. Прежде чем вызвать специалиста сервисного центра, внимательно прочитайте инструкцию по эксплуатации изделия. Если изделие исправно, то за сервисным центром остается право требовать от Потребителя оплаты ложного вызова.

6. Любые претензии по качеству изделия рассматриваются только после предварительной проверки качества изделия представителем сервисного центра.

7. Изготовитель не несет какой-либо ответственности за любой возможный ущерб, нанесенный потребителю, в случае несоблюдения последним требований Изготовителя, указанных в данном гарантийном документе и инструкции по эксплуатации.

8. Гарантийный срок на элементы освещения (галогеновые, светодиодные и лампы накаливания) составляет 15 дней со дня продажи прибора.

**Гарантия не распространяется на изделия, недостатки в которых возникли вследствие:**

1. Несоблюдения требований Изготовителя, указанных в гарантийном документе;
2. Несоблюдения Потребителем правил установки, подключения, эксплуатации, хранения или транспортировки изделия, указанных в инструкции по эксплуатации;
3. Ремонта не уполномоченными на то лицами, если таковой ремонт повлек за собой отказ изделия;
4. Разборки изделия, изменения конструкции и других вмешательств, не предусмотренных инструкцией по эксплуатации;
5. Неисправностей и повреждений, вызванных экстренными условиями и действием непреодолимой силы (пожар, стихийные бедствия, и т.д.);
6. Повреждений техники или нарушений ее нормальной работы, вызванных животными или насекомыми;
7. Повреждений техники или нарушений ее нормальной работы, вызванных сверхнормативными отклонениями параметров сети электро-, газо- или водоснабжения от номинальных значений;
8. Использования изделия для предпринимательской деятельности или в непредусмотренных целях;
9. Образования на нагревательных элементах избыточного слоя накипи (при повышенной жесткости воды необходима обработка соответствующими составами);
10. Попадания во внутренние рабочие объемы изделия посторонних предметов, мелких деталей одежды или остатков пищи;
11. Механических повреждений изделия Потребителем (царапины, трещины, сколы и т.п.);
12. Потери товарного вида изделия вследствие воздействия на изделие химических веществ;
13. Термических и других подобных повреждений, которые возникли в процессе эксплуатации.

**Изготовитель не принимает претензии в следующих случаях:**

1. Несоблюдение правил установки;
2. Отсутствие оригинального гарантийного талона;
3. Отсутствие в гарантийном талоне следующих сведений: даты продажи, штампа торгующей организации, подписи продавца, модели и серийного номера изделия;
4. Внесение любых исправлений (изменений) в текст гарантийного документа.

**Установка и подключение крупной бытовой техники:**

1. Производитель рекомендует Вам доверить установку и подключение изделия «Kuppersberg» специалистам сервисного центра. Вы можете также обращаться в любую другую организацию, имеющую сертификат на оказание подобных услуг.
2. Оплата работ по установке и подключению изделия происходит по прейскуранту сервисного центра. Условия оплаты работ по установке и подключению регулируются действующим законодательством. Изготовитель не несет какой-либо ответственности за любой ущерб, нанесенный имуществу граждан вследствие установки и подключения, не соответствующих требованиям, указанным в инструкции по эксплуатации, и произведенных не уполномоченными на то лицами.
3. В случае нарушения требований Изготовителя по установке и подключению, ответственность за причиненный ущерб несет лицо, проводившее эту работу.
4. Газовая бытовая техника может быть установлена только специалистом, имеющим допуск на установку газового оборудования. Гарантийное обслуживание осуществляется только при наличии отметки об установке или документа уполномоченной организации.

**Изделие, имеющее трехконтактную сетевую вилку, обязательно должно быть заземлено!**





⇒ **ВНИМАНИЕ!**

**ДАННЫЙ ПАСПОРТ ИЗДЕЛИЯ  
ТАК ЖЕ ЯВЛЯЕТСЯ  
ГАРАНТИЙНЫМ ТАЛОНОМ,  
ПРОСЬБА НЕ УНИЧТОЖАТЬ  
ДО КОНЦА ЭКСПЛУАТАЦИИ  
ТЕХНИКИ.**

⇒ Kuppersberg

⇒ [www.kuppersberg.ru](http://www.kuppersberg.ru)

⇒ [info@kuppersberg.ru](mailto:info@kuppersberg.ru)